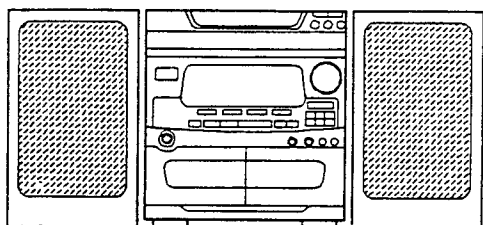


aiwa



CX-NV70

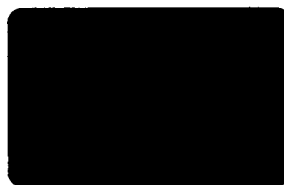
TECHNICAL DEPT.



COMPACT DISC STEREO
CASSETTE RECEIVER

- BASIC TAPE MECHANISM : 2ZM-3MK2 PR1
- BASIC CD MECHANISM : 4ZG-1 TDFR

• TYPE: EE, K, EZ



CD-CASSEIVER	REMOTE CONTROLLER	SPEAKER
CX-NV70	RC-T501	SX-FNV70L

MANUAL
SERVICE

SPECIFICATIONS

<FM Tuner section>

Tuning range 87.5 MHz to 108 MHz
Usable sensitivity(IHF) 17.2 dBf
Antenna terminals 75 ohms (unbalanced)

<MW Tuner section>

Tuning range 531 kHz to 1602 kHz (9 kHz step)
 530 kHz to 1710 kHz (10 kHz step)
Usable sensitivity 350 μ V/m
Antenna Loop antenna

<LW Tuner section>

Tuning range 144 kHz to 290 kHz
Usable sensitivity 1400 μ V/m
Antenna Loop antenna

<Amplifier section>

Power output Rated 70 W + 70 W (6 ohms,
 T.H.D. 1 %, 1 kHz / DIN 45500)
 Reference: 85 W + 85 W (6 ohms,
 T.H.D. 10 %, 1 kHz / DIN 45324)
 DIN MUSIC POWER
 100 W + 100 W

Total Harmonic distortion 0.1 % (30 W, 1 kHz, 6 ohms, DIN-AUDIO)

Inputs VIDEO/AUX: 150 mV adjustable
 MIC 1, MIC 2: 1 mV (10 kohms)

Outputs LINE OUT: 200 mV
 SUPER WOOFER: 2.45 V
 SPEAKERS: accepts speakers of 6 ohms or more
 SURROUND SPEAKERS: accepts speakers of 16 ohms or more
 PHONES (stereo jack): accepts headphones of 32 ohms or more

<Cassette deck section>

Track format 4 tracks, 2 channels stereo
Frequency response CrO₂ tape: 50 Hz – 16000 Hz
 Normal tape: 50 Hz – 15000 Hz
Signal-to-noise ratio 60 dB (Dolby B NR ON, CrO₂ tape peak level)
Recording system AC bias
Heads Deck 1: Playback head x 1
 Deck 2: Recording/playback/erase head x 1

<Compact disc player section>

Laser Semiconductor laser (λ =780 nm)
D-A converter 1 bit dual
Signal-to-noise ratio 85 dB (1 kHz, 0 dB)
Harmonic distortion 0.03% (1 kHz, 0 dB)
Wow and flutter Unmeasurable

<Speaker system SX-FNV70L>

Cabinet type 3 way, bass reflex with surround speaker (Magnetism sealed type)

Speaker Woofer:
 140 mm (5⁵/₈ in.) cone type
 Tweeter:
 80 mm (3¹/₄ in.) cone type
 Super tweeter:
 50 mm (2 in.) ceramic type
 Surround speaker:
 80 mm (3¹/₄ in.) cone type
 Front speaker: 6 ohms
 Surround speaker: 16 ohms

Impedance


Output sound pressure level

Dimensions (W x H x D) 206 x 302 x 265 mm
 (8¹/₈ x 12 x 10¹/₂ in.)
Weight 4.0 kg (8 lbs 13 oz.)

<General>

Power requirements 230 V AC, 50 Hz
Power consumption 400 W
Dimensions of main unit (W x H x D) 260 x 307.8 x 337 mm
 (10¹/₈ x 12¹/₈ x 13³/₈ in.)
Weight of main unit 7.8 kg (17 lbs. 3 oz.)

• Design and specifications are subject to change without notice.

• Dolby noise reduction manufactured under license from Dolby Laboratories Licensing Corporation.
 "DOLBY" and the double-D symbol  are trademarks of Dolby Laboratories Licensing Corporation.

• The word "BBE" and the "BBE symbol" are trademarks of BBE Sound, Inc.
 Under license from BBE Sound, Inc.

PROTECTION OF EYES FROM LASER BEAM DURING SERVICING

This set employs laser. Therefore, be sure to follow carefully the instructions below when servicing.

WARNING!!

WHEN SERVICING, DO NOT APPROACH THE LASER EXIT WITH THE EYE TOO CLOSELY. IN CASE IT IS NECESSARY TO CONFIRM LASER BEAM EMISSION, BE SURE TO OBSERVE FROM A DISTANCE OF MORE THAN 30cm FROM THE SURFACE OF THE OBJECTIVE LENS ON THE OPTICAL PICK-UP BLOCK.



- Caution: Invisible laser radiation when open and interlocks defeated avoid exposure to beam.
- Advarsel: Usynlig laserstråling ved åbning, når sikkerhedsafbrydere er ude af funktion. Undgå udsættelse for stråling.

VAROITUS!

Laiteen Käyttäminen muulla kuin tässä käyttöohjeessa mainituilla tavalla saattaa altistaa käyttäjän turvallisuusluokan 1 ylittävälle näkymättömälle lasersäteilylle.

WARNING!

Om apparaten används på annat sätt än vad som specificeras i denna bruksanvisning, kan användaren utsättas för osynlig laserstråling, som överskrider gränsen för laserklass 1.

CAUTION

Use of controls or adjustments or performance of procedures other than those specified herein may result in hazardous radiation exposure.

ATTENTION

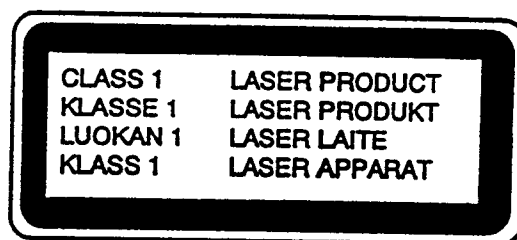
L'utilisation de commandes, réglages ou procédures autres que ceux spécifiés peut entraîner une dangereuse exposition aux radiations.

ADVARSEL

Usynlig laserstråling ved åbning, når sikkerhedsafbrydere er ude af funktion. Undgå udsættelse for stråling.

This Compact Disc player is classified as a CLASS 1 LASER product.

The CLASS 1 LASER PRODUCT label is located on the rear exterior.

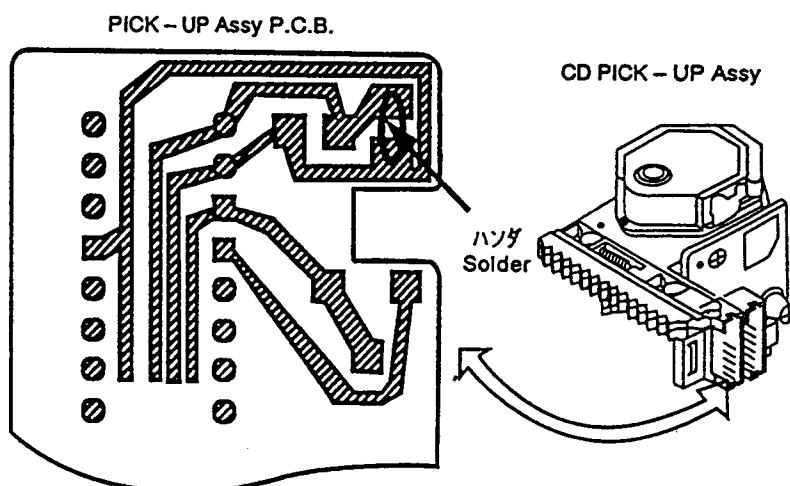


Precaution to replace Optical block

(KSS-210A)

Body or clothes electrostatic potential could ruin laser diode in the optical block. Be sure ground body and workbench, and use the clothes do not touch the diode.

- 1) After the connection, remove solder shown in figure below.



ELECTRICAL MAIN PARTS LIST

If can't understand for Description please kindly refer to "REFERENCE NAME LIST".

REF. NO.	PART NO.	KANRI NO.	DESCRIPTION	REF. NO.	PART NO.	KANRI NO.	DESCRIPTION
IC					87-017-148-080		ZENER,HZS6A1L
	87-020-454-010		IC, DN6851				
	85-NF5-634-010		IC, LC866432V-5751	MAIN C.B			
	87-070-083-010		IC, GPIU281X	C101	87-010-453-090		CAP,E 4700-25 SME
	87-001-904-010		IC, STK4192-MK2	C102	87-010-453-090		CAP,E 4700-25 SME
	87-070-121-010		IC, HA12185NT	C104	87-010-235-080		CAP,E 470-16 SME
				C105	87-010-381-080		CAP,E 330-16 SME
	87-070-232-010		IC, BA3834S	C106	87-015-914-089		CAP,E 47-100
	87-017-375-080		IC, TC4094BF				
	87-001-874-010		IC, HA12134A	C107	87-010-405-080		CAP,E 10-50 SME
	87-017-673-010		IC, BA3837	C108	87-010-407-080		CAP,E 33-50 SME
	87-017-449-010		IC, XR-1071CP	C109	87-010-263-080		CAP,E 100-10 SME
				C112	87-010-382-080		CAP,E 22-25 SME
	87-017-374-010		IC, TC4094BP	C113	87-010-403-080		CAP,E 3.3-50 SME
	87-017-022-080		IC, NJM2068M-D(T1)				
	87-027-666-010		IC, TC4052BP	C115	87-016-247-080		C-CAP, 0.1-50 F
	87-070-184-040		IC, M65846FP-600D	C116	87-012-140-080		C-CAP,S 470P-50 CH
	87-017-787-010		IC, M62412P	C117	87-012-368-080		C-CAP,S 0.1-50 F
				C118	87-012-368-080		C-CAP,S 0.1-50 F
	87-070-127-010		IC, LC72131	C119	87-012-368-080		C-CAP,S 0.1-50 F
	87-002-272-080		IC, TC4052BF				
	87-017-714-010		IC, LA1836	C126	87-016-520-090		CAP,E 3300-65
TRANSISTOR				C127	87-016-520-090		CAP,E 3300-65
	87-026-463-080		TR, 2SA933S	C128	87-012-368-080		C-CAP,S 0.1-50 F
	89-213-702-010		TR, 2SB1370E	C129	87-012-368-080		C-CAP,S 0.1-50 F
	89-109-352-080		TR, 2SA935Q	C130	87-012-368-080		C-CAP,S 0.1-50 F
	87-026-610-080		TR, KTC3198GR	C131	87-012-368-080		C-CAP,S 0.1-50 F
	89-327-125-080		C-TR, 2SC2712GR	C152	87-010-260-080		CAP,E 47-25 SME
				C201	87-010-190-080		C-CAP,S 0.01-50 F
	89-332-665-080		TR, 2SC3266GR	C202	87-018-211-080		CAP, TC-U 0.01-50
	89-337-221-380		C-TR, 2SC3722K	C203	87-010-190-080		C-CAP,S 0.01-50 F
	89-111-625-080		C-TR, 2SA1162GR				
	87-026-210-080		C-TR, DTC144EK	C204	87-018-211-080		CAP, TC-U 0.01-50
	89-113-187-880		TR, 2SA1318TU	C213	87-010-401-080		CAP,E 1-50 SME
				C214	87-010-401-080		CAP,E 1-50 SME
	87-026-235-080		C-TR, DTC114EK	C215	87-010-184-080		C-CAP,S 3300P-50 B
	89-333-266-080		C-TR, 2SC3326B	C216	87-010-184-080		C-CAP,S 3300P-50 B
	87-026-211-080		C-TR, DTA144EK				
	87-026-232-080		C-TR, DTA144WK	C217	87-010-382-080		CAP,E 22-25 SME
	87-026-658-010		FET, 2SJ176	C218	87-010-382-080		CAP,E 22-25 SME
				C219	87-010-213-080		C-CAP,S 0.015-50 B
	89-510-940-010		FET, 2SK1094	C220	87-010-213-080		C-CAP,S 0.015-50 B
	89-322-405-080		TR, 2SC2240GR	C221	87-010-400-080		CAP,E 0.47-50 SME
	87-026-226-080		C-TR, DTA143EK	C222	87-010-400-080		CAP,E 0.47-50 SME
	89-503-655-680		FET, 2SK365GR BL	C223	87-010-260-080		CAP,E 47-25 SME
	89-112-965-080		TR, 2SA1296GR	C224	87-010-260-080		CAP,E 47-25 SME
				C225	87-010-260-080		CAP,E 47-25 SME
	89-333-317-080		TR, 2SC3331T	C226	87-010-260-080		CAP,E 47-25 SME
	89-327-126-080		C-TR, 2SC2712BL				
	89-109-521-080		TR, 2SA952K	C227	87-018-209-080		CAP, TC-U 0.1-50 F
	89-406-555-080		TR, 2SD655E	C228	87-018-209-080		CAP, TC-U 0.1-50 F
	87-026-214-080		TR, DTA114YS	C231	87-010-196-080		C-CAP,S 0.1-25 F
				C243	87-010-154-080		C-CAP,S 10P-50 CH
	89-327-143-080		C-TR, 2SC2714(O)	C244	87-015-879-080		C-CAP, 10P CH
	89-505-434-580		C-FET, 2SK543(4/5)				
DIODE				C245	87-018-208-080		CAP, TC-U 0.047-50 F
	87-002-225-010		DIODE, DBF 40C-K10	C250	87-010-197-080		C-CAP,S 0.01-25 B
	87-017-978-080		DIODE, 1N4003	C251	87-010-766-080		CAP,E 330-63
	87-020-027-080		C-DIODE, 1SS184	C297	87-010-404-080		CAP,E 4.7-50 SME
	87-020-125-080		C-DIODE, 1SS181	C298	87-010-404-080		CAP,E 4.7-50 SME
	87-020-465-080		DIODE, 1SS133 T-72				
				C303	87-012-157-080		C-CAP,S 330P-50 CH
	87-017-174-080		ZENER, HZS11A3L	C304	87-012-157-080		C-CAP,S 330P-50 CH
	87-017-146-080		ZENER, HZS30-2	C305	87-012-155-080		C-CAP,S 180P-50 CH
	87-020-691-080		DIODE, 1SS132	C306	87-012-155-080		C-CAP,S 180P-50 CH
	87-001-731-080		ZENER, HZS6C2L	C307	87-010-196-080		C-CAP,S 0.1-25 F
	87-017-091-080		ZENER, HZS5C1				
				C308	87-010-196-080		C-CAP,S 0.1-25 F
	87-020-331-080		C-DIODE, DAN202K	C313	87-010-181-080		C-CAP,S 1800P-50 B
	87-001-290-080		ZENER, HZS6B1L	C314	87-010-181-080		C-CAP,S 1800P-50 B
	87-001-559-080		DIODE 1SS131 (T-72)	C315	87-010-179-080		C-CAP,S 1200P-50 B
	87-070-178-090		DIODE, 1N5402-BD54	C316	87-010-179-080		C-CAP,S 1200P-50 B
	87-001-408-080		DIODE, GP 15B				
				C317	87-012-142-080		C-CAP,S 0.33-16 F
	87-017-086-080		ZENER, HZS5A2	C318	87-012-142-080		C-CAP,S 0.33-16 F
	87-020-330-080		C-DIODE, DAP202K	C319	87-012-141-080		C-CAP,S 0.22-16 F
				C320	87-012-141-080		C-CAP,S 0.22-16 F
				C321	87-010-196-080		C-CAP,S 0.1-25 F

REF. NO.	PART NO.	KANRI NO.	DESCRIPTION	REF. NO.	PART NO.	KANRI NO.	DESCRIPTION
C322	87-010-196-080		C-CAP,S 0.1-25 F	C615	87-010-400-080		CAP,E 0.47-50 SME
C324	87-010-260-080		CAP,E 47-25 SME	C616	87-010-400-080		CAP,E 0.47-50 SME
C325	87-010-370-080		CAP,E 330-6.3 SME	C617	87-010-197-080		C-CAP,S 0.01-25 B
C326	87-010-196-080		C-CAP,S 0.1-25 F	C618	87-010-197-080		C-CAP,S 0.01-25 B
C332	87-010-196-080		C-CAP,S 0.1-25 F	C619	87-010-184-080		C-CAP,S 3300P-50 B
C335	87-010-805-080		C-CAP,S 1-16 F	C620	87-010-184-080		C-CAP,S 3300P-50 B
C336	87-010-805-080		C-CAP,S 1-16 F	C621	87-012-155-080		C-CAP,S 180P-50 CH
C351	87-012-154-080		C-CAP,S 150P-50 CH	C622	87-012-155-080		C-CAP,S 180P-50 CH
C352	87-012-154-080		C-CAP,S 150P-50 CH	C623	87-010-405-080		CAP,E 10-50 SME
C451	87-012-140-080		C-CAP,S 470P-50 CH	C624	87-010-405-080		CAP,E 10-50 SME
C452	87-012-140-080		C-CAP,S 470P-50 CH	C630	87-010-405-080		CAP,E 10-50 SME
C453	87-010-178-080		C-CAP,S 1000P-50 B	C631	87-010-401-080		CAP,E 1-50 SME
C454	87-010-178-080		C-CAP,S 1000P-50 B	C641	87-010-196-080		C-CAP,S 0.1-25 F
C455	87-010-178-080		C-CAP,S 1000P-50 B	C642	87-010-196-080		C-CAP,S 0.1-25 F
C456	87-010-260-080		CAP,E 47-25 SME	C650	87-010-316-080		C-CAP,S 33P-50 CH
C457	87-010-197-080		C-CAP,S 0.01-25 B	C651	87-010-316-080		C-CAP,S 33P-50 CH
C458	87-010-183-080		C-CAP,S 2700P-50 B	C701	87-010-381-080		CAP,E 330-16 SME
C459	87-010-183-080		C-CAP,S 2700P-50 B	C702	87-010-404-080		CAP,E 4.7-50 SME
C460	87-010-183-080		C-CAP,S 2700P-50 B	C703	87-010-197-080		C-CAP,S 0.01-25 B
C470	87-010-196-080		C-CAP,S 0.1-25 F	C704	87-010-197-080		C-CAP,S 0.01-25 B
C501	87-010-177-080		C-CAP,S 820P-50 SL	C711	87-010-263-080		CAP,E 100-10 SME
C502	87-010-177-080		C-CAP,S 820P-50 SL	C712	87-010-196-080		C-CAP,S 0.1-25 F
C503	87-012-155-080		C-CAP,S 180P-50 CH	C722	87-010-311-080		C-CAP,S 12P-50 CH
C504	87-012-155-080		C-CAP,S 180P-50 CH	C723	87-010-178-080		C-CAP,S 1000P-50 B
C515	87-010-545-080		CAP,E 0.22-50 SME	C725	87-010-178-080		C-CAP,S 1000P-50 B
C516	87-010-545-080		CAP,E 0.22-50 SME	C727	87-010-196-080		C-CAP,S 0.1-25 F
C519	87-010-196-080		C-CAP,S 0.1-25 F	C728	87-010-248-080		CAP,E 220-10 SME
C521	87-010-197-080		C-CAP,S 0.01-25 B	C732	87-018-134-080		CAP,TC-U 0.01-16 Y
C522	87-010-318-080		C-CAP,S 47P-50 CH	C770	87-010-405-080		CAP,E 10-50 SME
C523	87-010-197-080		C-CAP,S 0.01-25 B	C771	87-010-405-080		CAP,E 10-50 SME
C524	87-010-402-080		CAP,E 2.2-50 SME	C772	87-010-194-080		C-CAP,S 0.047-25 F
C530	87-010-194-080		C-CAP,S 0.047-25 F	C773	87-010-196-080		C-CAP,S 0.1-25 F
C531	87-010-545-080		CAP,E 0.22-50 SME	C774	87-010-263-080		CAP,E 100-10 SME
C532	87-010-382-080		CAP,E 22-25 SME	C775	87-010-405-080		CAP,E 10-50 SME
C533	87-010-404-080		CAP,E 4.7-50 SME	C776	87-010-197-080		C-CAP,S 0.01-25 B
C534	87-010-404-080		CAP,E 4.7-50 SME	C777	87-010-400-080		CAP,E 0.47-50 SME
C535	87-010-404-080		CAP,E 4.7-50 SME	C778	87-010-401-080		CAP,E 1-50 SME
C536	87-010-404-080		CAP,E 4.7-50 SME	C779	87-010-401-080		CAP,E 1-50 SME
C537	87-018-209-080		CAP,TC-U 0.1-50 F	C780	87-010-197-080		C-CAP,S 0.01-25 B
C538	87-010-384-080		CAP,E 100-25 SME	C781	87-010-405-080		CAP,E 10-50 SME
C539	87-012-142-080		C-CAP,S 0.33-16 F	C782	87-010-405-080		CAP,E 10-50 SME
C540	87-010-196-080		C-CAP,S 0.1-25 F	C787	87-010-184-080		C-CAP,S 3300P-50 B
C541	87-010-196-080		C-CAP,S 0.1-25 F	C788	87-010-184-080		C-CAP,S 3300P-50 B
C543	87-010-544-080		CAP,E 0.1-50	C789	87-010-179-080		C-CAP,S 1200P-50 B
C544	87-010-544-080		CAP,E 0.1-50	C790	87-010-179-080		C-CAP,S 1200P-50 B
C545	87-010-400-080		CAP,E 0.47-50 SME	C791	87-010-401-080		CAP,E 1-50 SME
C546	87-010-400-080		CAP,E 0.47-50 SME	C792	87-010-182-080		C-CAP,S 2200P-50 B
C547	87-010-213-080		C-CAP,S 0.015-50 B	C793	87-010-189-080		C-CAP,S 8200P-50 B
C548	87-010-213-080		C-CAP,S 0.015-50 B	C794	87-010-408-080		CAP,E 47-50 SME
C549	87-018-209-080		CAP,TC-U 0.1-50 F	C795	87-010-194-080		C-CAP,S 0.047-25 F
C550	87-010-183-080		C-CAP,S 2700P-50 B	C796	87-010-403-080		CAP,E 3.3-50 SME
C553	87-010-182-080		C-CAP,S 2200P-50 B	C797	87-010-405-080		CAP,E 10-50 SME
C554	87-010-182-080		C-CAP,S 2200P-50 B	C798	87-010-196-080		C-CAP,S 0.1-25 F
C557	87-010-178-080		C-CAP,S 1000P-50 B	C800	87-018-209-080		CAP,TC-U 0.1-50 F
C558	87-010-178-080		C-CAP,S 1000P-50 B	C812	87-018-134-080		CAP,TC-U 0.01-16 Y
C597	87-010-404-080		CAP,E 4.7-50 SME	C816	87-018-134-080		CAP,TC-U 0.01-16 Y
C598	87-010-404-080		CAP,E 4.7-50 SME	C817	87-010-197-080		C-CAP,S 0.01-25 B
C601	87-010-401-080		CAP,E 1-50 SME	C818	87-010-197-080		C-CAP,S 0.01-25 B
C602	87-010-405-080		CAP,E 10-50 SME	C819	87-010-197-080		C-CAP,S 0.01-25 B
C603	87-010-101-080		CAP,E 220-16 SME	C820	87-010-260-080		CAP,E 47-25 SME
C605	87-010-178-080		C-CAP,S 1000P-50 B	C821	87-010-197-080		C-CAP,S 0.01-25 B
C606	87-010-178-080		C-CAP,S 1000P-50 B	C822	87-010-197-080		C-CAP,S 0.01-25 B
C607	87-010-404-080		CAP,E 4.7-50 SME	C823	87-010-197-080		C-CAP,S 0.01-25 B
C608	87-010-404-080		CAP,E 4.7-50 SME	C824	87-018-209-080		CAP,TC-U 0.1-50 F
C609	87-010-404-080		CAP,E 4.7-50 SME	C825	87-015-819-080		CHIP CAP 0.01
C610	87-010-404-080		CAP,E 4.7-50 SME	C826	87-010-196-080		C-CAP,S 0.1-25 F
C611	87-010-177-080		C-CAP,S 820P-50 SL	C827	87-010-196-080		C-CAP,S 0.1-25 F
C612	87-010-177-080		C-CAP,S 820P-50 SL	C828	87-010-197-080		C-CAP,S 0.01-25 B
C613	87-010-404-080		CAP,E 4.7-50 SME	C829	87-010-197-080		C-CAP,S 0.01-25 B
C614	87-010-404-080		CAP,E 4.7-50 SME	C830	87-015-819-080		CHIP CAP 0.01

REF. NO.	PART NO.	KANRI NO.	DESCRIPTION	REF. NO.	PART NO.	KANRI NO.	DESCRIPTION
C831	87-010-197-080		C-CAP,S 0.01-25 B	C204	87-010-401-040		CAP,E 1-50 SME
C835	87-010-197-080		C-CAP,S 0.01-25 B	C205	87-010-555-040		CAP,E 100-10 GAS
C840	87-010-197-080		C-CAP,S 0.01-25 B	C206	87-010-550-040		CAP,E 100-6.3 GAS
C926	87-010-196-080		C-CAP,S 0.1-25 F	C207	87-010-494-040		CAP,E 1-50 GAS
C941	87-010-197-080		C-CAP,S 0.01-25 B	C208	87-010-196-080		C-CAP,S 0.1-25 F
C942	87-010-311-080		C-CAP,S 12P-50 CH	C209	87-010-550-040		CAP,E 100-6.3 GAS
C944	87-010-154-080		C-CAP,S 10P-50 CH	C212	87-010-560-040		CAP,E 10-50 GAS
C946	87-014-050-080		CAP,PP 510P-100 J	C213	87-010-196-080		C-CAP,S 0.1-25 F
C947	87-010-401-080		CAP,E 1-50 SME	C214	87-010-196-080		C-CAP,S 0.1-25 F
C948	87-010-196-080		C-CAP,S 0.1-25 F	C215	87-010-196-080		C-CAP,S 0.1-25 F
C949	87-010-197-080		C-CAP,S 0.01-25 B	C220	87-010-317-080		C-CAP,S 39P-50 CH
C951	87-010-401-080		CAP,E 1-50 SME	C221	87-010-315-080		C-CAP,S 27P-50 CH
C983	87-010-544-080		CAP,E 0.1-50	C222	87-010-318-080		C-CAP,S 47P-50 CH
C987	87-015-819-080		CHIP CAP 0.01	C223	87-010-178-080		C-CAP,S 1000P-50 B
C988	87-015-785-080		C-CAP,0.1-25 F	C250	87-010-178-080		C-CAP,S 1000P-50 B
C990	87-010-197-080		C-CAP,S 0.01-25 B	C381	87-010-196-080		C-CAP,S 0.1-25 F
C993	87-010-197-080		C-CAP,S 0.01-25 B	C382	87-010-196-080		C-CAP,S 0.1-25 F
C995	87-010-197-080		C-CAP,S 0.01-25 B	C383	87-010-196-080		C-CAP,S 0.1-25 F
CF801	87-008-423-010		CF,SFE10.7 MS3G-A	C384	87-010-196-080		C-CAP,S 0.1-25 F
CF802	82-785-747-010		CF,MS2 GHY,R	C385	87-010-322-080		C-CAP,S 100P-50 CH
FFE802	85-NF5-604-010		FE PACK 4(AL)	C389	87-010-196-080		C-CAP,S 0.1-25 F
FT104	85-NF5-617-010		CABLE,FFC 6P-1.25	C401	87-010-196-080		C-CAP,S 0.1-25 F
J250	87-099-678-010		JACK,6.3 W/S BLK	C402	87-010-196-080		C-CAP,S 0.1-25 F
J253	87-009-621-010		JACK,PIN 1P BLK	C501	87-010-060-080		CAP,E 100-16 7L
J254	87-033-227-010		TERMINAL,SP 4P R (2)	C601	87-010-405-040		CAP,E 10-50 SME
J652	82-MA2-631-010		JACK,PIN 4P RVS	C602	87-010-176-080		C-CAP,S 680P-50 SL
J801	87-033-230-010		TERMINAL,ANT AJ-2016	C603	87-010-196-080		C-CAP,S 0.1-25 F
L201	87-003-383-010		COIL,1UH-S	C605	87-010-319-080		C-CAP,S 56P-50 CH
L202	87-003-383-010		COIL,1UH-S	C606	87-010-494-040		CAP,E 1-50 GAS
L403	81-598-635-010		COIL,TRAP BIAS	C607	87-010-196-080		C-CAP,S 0.1-25 F
L404	81-598-635-010		COIL,TRAP BIAS	C608	87-010-322-080		C-CAP,S 100P-50 CH
L451	87-007-336-010		COIL,OSC 85K BIAS	C609	87-010-491-040		CAP,E 0.22-50 GAS
L701	81-631-643-010		COIL,1 POLE MPX	C610	87-012-155-080		C-CAP,S 180P-50 CH
L702	81-631-643-010		COIL,1 POLE MPX	C611	87-010-406-040		CAP,E 22-50 SME
L741	87-006-253-010		COIL,FM DET N	C614	87-010-555-040		CAP,E 100-10 GAS
L742	82-NT1-659-010		FLTR,CFAZ-450 2NT	C615	87-010-401-040		CAP,E 1-50 SME
L770	87-003-102-080		COIL,10UH	C616	87-018-209-080		CAP,TC-U 0.1-50 F
L832	87-003-098-080		COIL,2.2UH	C622	87-015-785-080		C-CAP,0.1-25 F
L941	87-006-208-010		COIL,ANT LW	C646	87-010-196-080		C-CAP,S 0.1-25 F
L942	87-007-305-010		COIL,OSC LW S	C647	87-010-180-080		C-CAP,S 1500P-50 B
L981	81-MX4-619-010		AM PACK 4	C648	87-012-156-089		C-CAP,S 220P-50 CH
R105	87-022-050-080		RESIS,METAL 1W-0.22J	C650	87-010-152-080		C-CAP,S 8P-50 CH
R106	87-022-050-080		RESIS,METAL 1W-0.22J	C651	87-010-152-080		C-CAP,S 8P-50 CH
R203	87-022-619-080		RES,M/F 0.47-3W J	C653	87-012-358-080		C-CAP S 0.47-10 FZ
R204	87-022-619-080		RES,M/F 0.47-3W J	C654	87-010-178-080		C-CAP,S 1000P-50 B
R205	87-022-619-080		RES,M/F 0.47-3W J	C656	87-010-196-080		C-CAP,S 0.1-25 F
R206	87-022-619-080		RES,M/F 0.47-3W J	C657	87-010-555-040		CAP,E 100-10 GAS
RY101	87-045-361-010		RELAY,DH12D2-OS(M)-2	C659	87-010-184-080		C-CAP,S 3300P-50 B
RY102	87-045-382-010		RELAY,OUAZ-SH-112L	C660	87-010-426-080		C-CAP,S 0.012-25 B
SFR301	87-024-174-080		SFR,33K DIA6 V	C661	87-012-358-080		C-CAP S 0.47-10 FZ
SFR302	87-024-174-080		SFR,33K DIA6 V	C663	87-010-555-040		CAP,E 100-10 GAS
SFR303	87-024-174-080		SFR,33K DIA6 V	C664	87-012-141-080		C-CAP,S 0.22-16 F
SFR304	87-024-174-080		SFR,33K DIA6 V	C666	87-010-179-080		C-CAP,S 1200P-50 B
SFR305	87-024-175-080		SFR,47K DIA6 V	C667	87-010-177-080		C-CAP,S 820P-50 SL
SFR306	87-024-175-080		SFR,47K DIA6 V	C669	87-010-497-040		CAP,E 4.7-35 5L
SFR451	87-024-175-080		SFR,47K DIA6 V	C670	87-010-497-040		CAP,E 4.7-35 5L
SFR452	87-024-175-080		SFR,47K DIA6 V	C671	87-010-426-080		C-CAP,S 0.012-25 B
SFR722	87-024-171-080		SFR,4.7K DIA6 V	C672	87-018-209-080		CAP,TC-U 0.1-50 F
TC701	87-011-253-080		TRIMER,30P LAR	C701	87-010-177-080		C-CAP,S 820P-50 SL
TC942	87-011-253-080		TRIMER,30P LAR	C702	87-010-177-080		C-CAP,S 820P-50 SL
VR651	82-NF5-660-010		VR,50K BX2 RK14K 12A	C710	87-010-553-040		CAP,E 47-16 GAS
W101	85-NF5-628-010		F-CABLE,7P-2.5	C711	87-010-194-080		C-CAP,S 0.047-25 F
X703	84-508-618-010		VIB,CER CSB 456 F15	C712	87-010-194-080		C-CAP,S 0.047-25 F
X721	87-030-163-010		VIB,XTAL 7.2MHZ(NDK)	C713	87-010-195-080		C-CAP,S 0.068-25 F
				C714	87-010-195-080		C-CAP,S 0.068-25 F
FRONT C.B				C715	87-010-186-080		C-CAP,S 4700P-50 B
C201	87-010-404-040		CAP,E 4.7-50 SME	C716	87-010-186-080		C-CAP,S 4700P-50 B
C202	87-010-404-040		CAP,E 4.7-50 SME	C717	87-010-497-040		CAP,E 4.7-35 5L
C203	87-010-408-040		CAP-E 47-50 SME	C718	87-010-497-040		CAP,E 4.7-35 5L
				C721	87-010-495-040		CAP,E 2.2-50 GAS

REF. NO.	PART NO.	KANRI NO.	DESCRIPTION	REF. NO.	PART NO.	KANRI NO.	DESCRIPTION
C722	87-010-495-040		CAP,E 2.2-50 GAS	C738	87-010-374-040		CAP,E 47-10
FB100	87-008-372-080		FLTR,EMI BL 01RN1	C741	87-010-198-080		C-CAP,S 0.022-25 B
FL101	85-NF5-630-010		FL,BJ350GK	C745	87-016-073-040		CAP,E 1-50 FX
FT101	85-NF5-615-010		CABLE,FFC 15P-1.25	C746	87-016-073-040		CAP,E 1-50 FX
FT102	85-NF5-618-010		CABLE,FFC 13P-1.25	C747	87-010-401-040		CAP,E 1-50 SME
FT103	85-NF5-616-010		CABLE,FFC 6P-1.25	C748	87-010-401-040		CAP,E 1-50 SME
J601	82-NF7-630-010		JACK,3.5 MO	C750	87-010-381-080		CAP,E 330-16 SME
J621	82-NF7-630-010		JACK,3.5 MO	C751	87-010-401-040		CAP,E 1-50 SME
L650	87-005-487-080		COIL,150UH J FLR50	C752	87-010-401-040		CAP,E 1-50 SME
LED401	87-070-281-080		LED,SL2736A-25-S-T1	C757	87-010-404-040		CAP,E 4.7-50 SME
LED402	87-070-281-080		LED,SL2736A-25-S-T1	C773	87-010-546-040		CAP,E 0.33-50
LED403	87-070-281-080		LED,SL2736A-25-S-T1	C777	87-010-402-040		CAP,E 2.2-50 SME
LED404	87-070-281-080		LED,SL2736A-25-S-T1	C778	87-010-402-040		CAP,E 2.2-50 SME
LED405	87-070-281-080		LED,SL2736A-25-S-T1	C797	87-010-402-040		CAP,E 2.2-50 SME
LED406	87-070-281-080		LED,SL2736A-25-S-T1	MVR741	85-NF5-635-010		VOL,50KBX2 (M)
LED407	87-070-199-080		LED,SLP738F-81-S-T1				
LED408	87-070-199-080		LED,SLP738F-81-S-T1				
LED409	87-070-199-080		LED,SLP738F-81-S-T1	KEY C.B			
LED410	87-070-199-080		LED,SLP738F-81-S-T1	LED415	87-070-197-080		LED,SLP7118C-51-S-T1
LED411	87-070-199-080		LED,SLP738F-81-S-T1	LED416	87-070-197-080		LED,SLP7118C-51-S-T1
LED412	87-070-199-080		LED,SLP738F-81-S-T1	LED417	87-070-197-080		LED,SLP7118C-51-S-T1
LED413	87-070-199-080		LED,SLP738F-81-S-T1	S349	87-036-397-080		SW,TACT SKQONAB
LED414	87-070-199-080		LED,SLP738F-81-S-T1	S350	87-036-397-080		SW,TACT SKQONAB
LED420	87-070-201-080		LED,SLP9118C-51-S-T1	S351	87-036-397-080		SW,TACT SKQONAB
LED421	87-070-201-080		LED,SLP9118C-51-S-T1	S352	87-036-397-080		SW,TACT SKQONAB
LED422	87-070-201-080		LED,SLP9118C-51-S-T1	S353	87-036-397-080		SW,TACT SKQONAB
LED423	87-070-201-080		LED,SLP9118C-51-S-T1				
LED437	87-070-278-010		LED,SL2738A-24-S	AC C.B			
LED438	87-070-290-010		LED,SL2936C-30-S	△	87-033-213-089		CLAMP FUSE SMK
LED439	87-070-278-010		LED,SL2738A-24-S	△ F102	87-035-369-010		FUSE,5A 250V TE
LED440	87-070-278-010		LED,SL2738A-24-S	△ F103	87-035-369-010		FUSE,5A 250V TE
LED441	87-070-290-010		LED,SL2936C-30-S				
LED442	87-070-278-010		LED,SL2738A-24-S	PT C.B			
S301	87-036-397-080		SW,TACT SKQONAB	△	87-033-213-089		CLAMP FUSE SMK
S302	87-036-397-080		SW,TACT SKQONAB	△	82-304-743-019		TERMINAL 1P
S303	87-036-397-080		SW,TACT SKQONAB	△ F101	87-035-365-010		FUSE,2A 250V TE
S304	87-036-397-080		SW,TACT SKQONAB	△ PT101	85-NF5-625-010		PT,5NF-5 EZK
S305	87-036-397-080		SW,TACT SKQONAB				
S321	87-036-397-080		SW,TACT SKQONAB	DECK C.B			
S322	87-036-397-080		SW,TACT SKQONAB	SFR1	87-024-581-089		SFR,3.3K DIA 6H
S323	87-036-397-080		SW,TACT SKQONAB	SOL1	82-ZM1-626-010		SOL ASSY,27K
S324	87-036-397-080		SW,TACT SKQONAB	SOL2	82-ZM1-626-010		SOL ASSY,27K
S325	87-036-397-080		SW,TACT SKQONAB	SW1	87-036-110-019		SW,PUSH SPPB 62
S326	87-036-397-080		SW,TACT SKQONAB	SW2	87-036-110-019		SW,PUSH SPPB 62
S327	87-036-170-080		SW,TACT	SW3	87-036-110-019		SW,PUSH SPPB 62
S328	87-036-170-080		SW,TACT	SW4	87-036-110-019		SW,PUSH SPPB 62
S329	87-036-170-080		SW,TACT	SW5	87-036-110-019		SW,PUSH SPPB 62
S330	87-036-397-080		SW,TACT SKQONAB	SW6	87-036-378-019		SW,PUSH 1-1-1 SH2
S331	87-036-397-080		SW,TACT SKQONAB	SW8	87-036-378-019		SW,PUSH 1-1-1 SH2
S332	87-036-397-080		SW,TACT SKQONAB	SW9	87-036-378-019		SW,PUSH 1-1-1 SH2
S341	87-036-397-080		SW,TACT SKQONAB				
S342	87-036-397-080		SW,TACT SKQONAB	HEAD-1 C.B			
S343	87-036-397-080		SW,TACT SKQONAB				
S344	87-036-397-080		SW,TACT SKQONAB	HEAD-2 C.B			
S345	87-036-397-080		SW,TACT SKQONAB				
S346	87-036-397-080		SW,TACT SKQONAB				
S347	87-036-397-080		SW,TACT SKQONAB				
S348	87-036-397-080		SW,TACT SKQONAB				
VR600	83-NM1-627-010		VR,10KB RK11K1130				
VR601	81-MX4-637-010		VR,10KA RK11K1130				
X201	87-030-376-080		VIB,CER CSA5.76MG200				
MVR C.B							
C731	87-010-322-080		C-CAP,S 100P-50 CH				
C732	87-010-322-080		C-CAP,S 100P-50 CH				
C735	87-010-402-040		CAP,E 2.2-50 SME				
C736	87-010-402-040		CAP,E 2.2-50 SME				
C737	87-010-374-040		CAP,E 47-10				

TRANSISTOR ILLUSTRATION



ECB

2SA1296
2SC2240
2SC3266
2SD655
KTC3198



ECB

2SA952



ECB

2SA933
DTA114YS



DGS

2SK365



ECB

2SA1318
2SC3331



ECB

2SA935



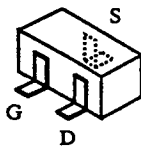
BCE

2SB1370

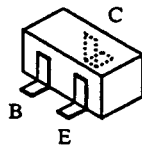


DGS

2SJ176
2SK1094



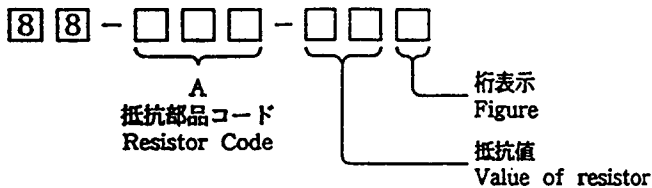
2SK543



2SA1162 DTA143EK
2SC2712 DTA144EK
2SC2714 DTA144WK
2SC3326 DTC114EK
2SC3722 DTC144EK

○チップ抵抗部品コード/CHIP RESISTOR PART CODE

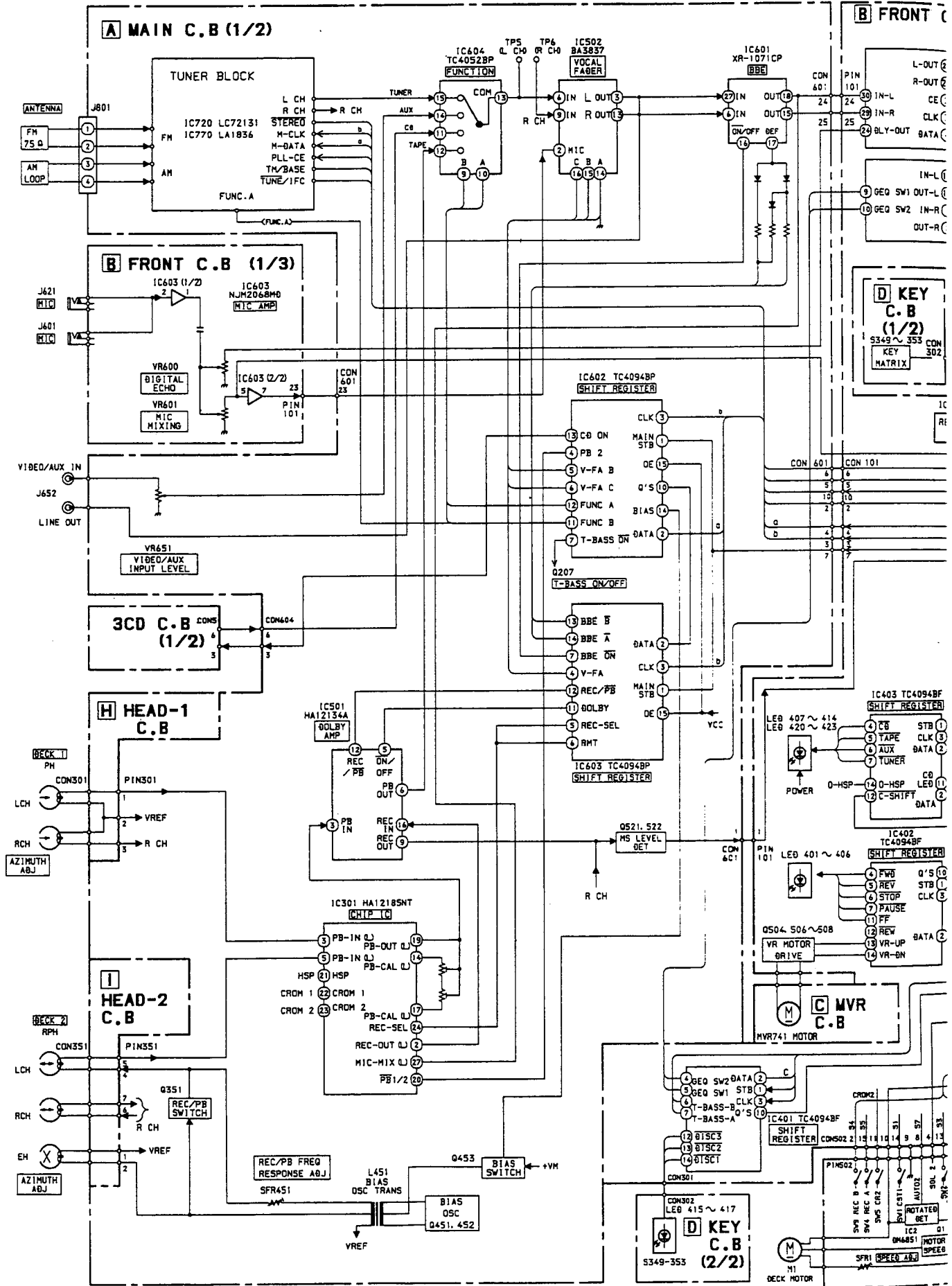
チップ抵抗部品コードの成り立ち
Chip Resistor Part Coding

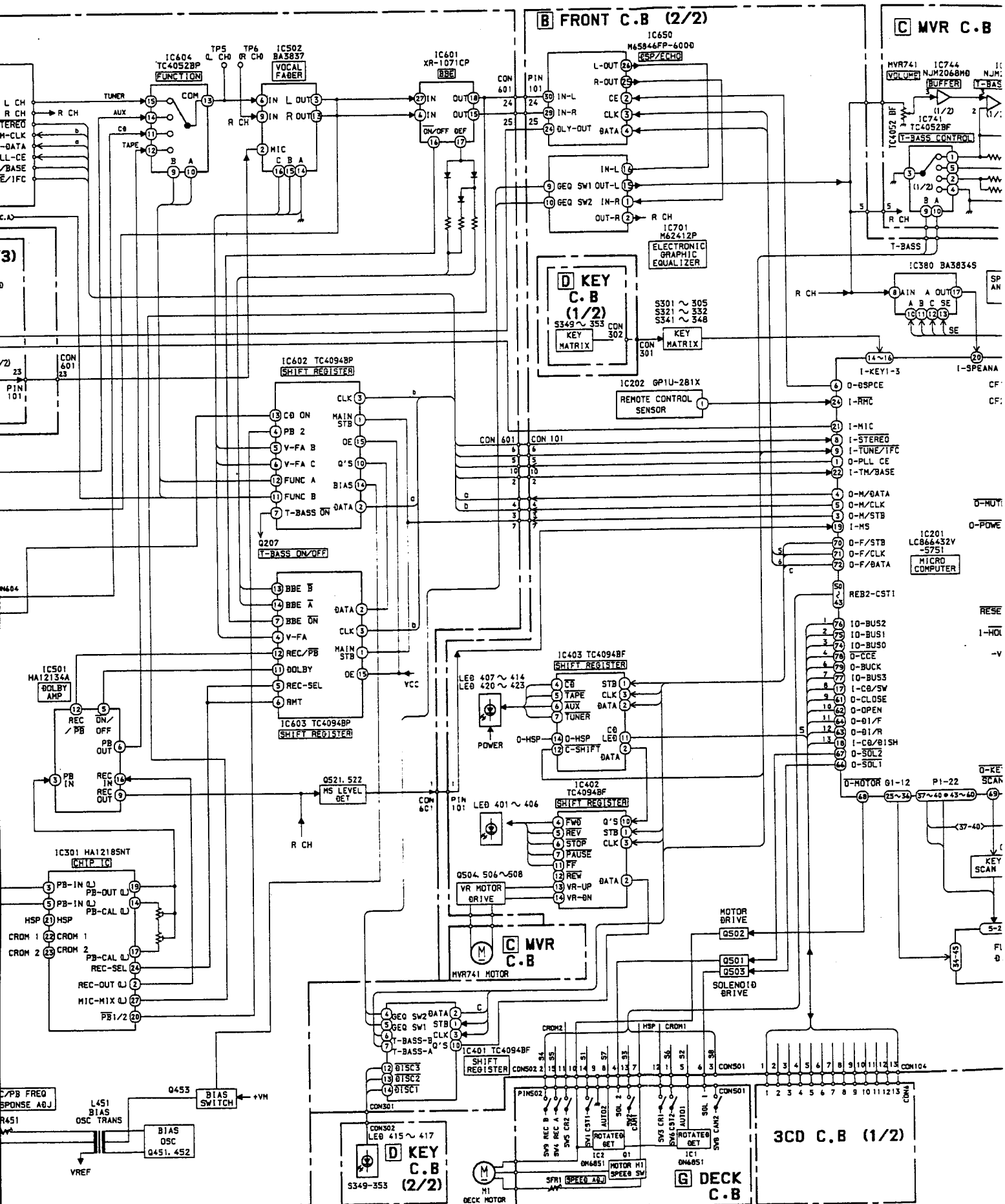


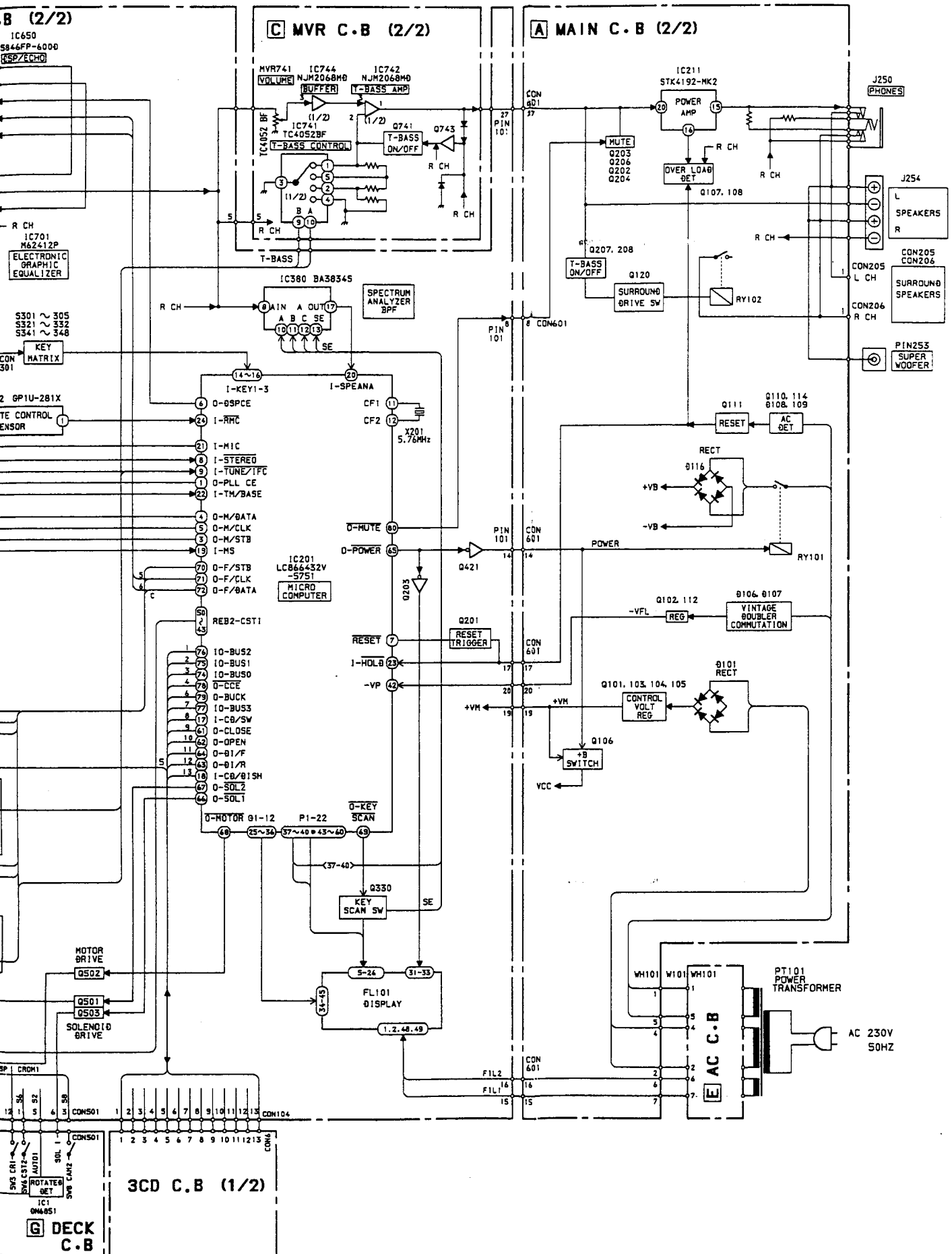
チップ抵抗
Chip resistor

Wattage 容量	Type 種類	Tolerance 許容誤差	Symbol 記号	Dimensions/寸法 (mm)			Resistor Code : A 抵抗コード : A	
				Form/外形	L	W		t
1/32W	1608	±5%	CJ		1.6	0.8	0.35	108
1/10W	2125	±5%	CJ		2	1.25	1.45	118
1/8W	3126	±5%	CJ		3.2	1.6	0.5 ~0.7	128

BLOCK DIAGRAM - 1 (MAIN / FRONT)

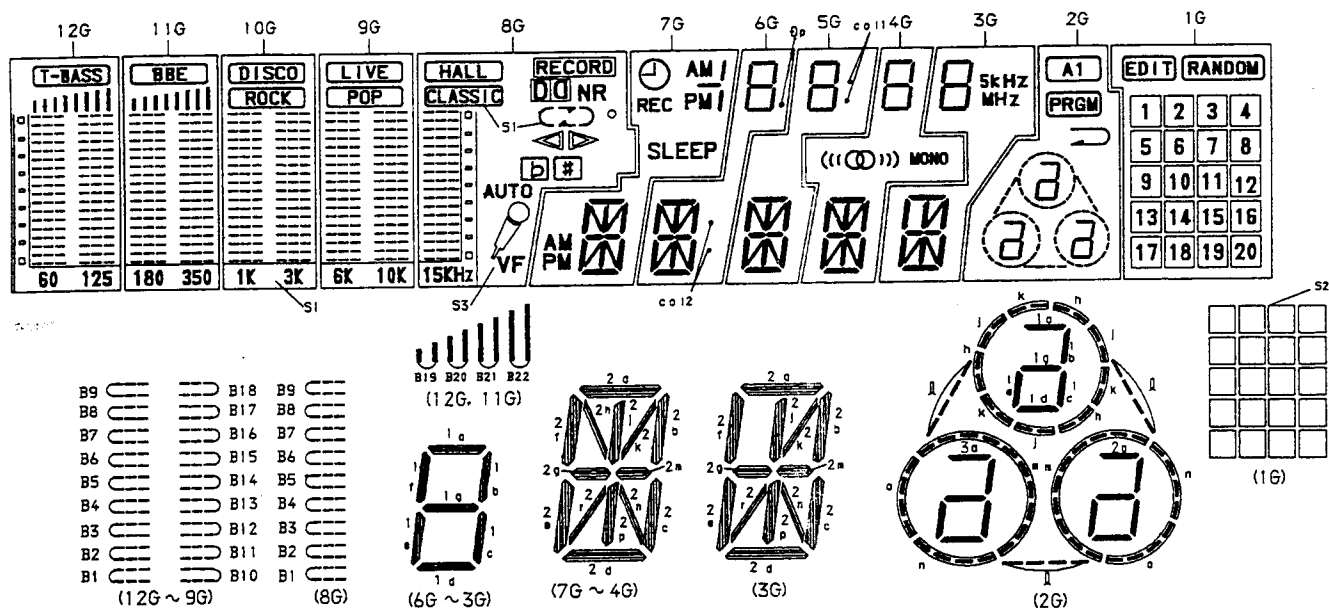






FL (BJ350GK) GRID ASSIGNMENT / ANODE CONNECTION

GRID ASSIGNMENT



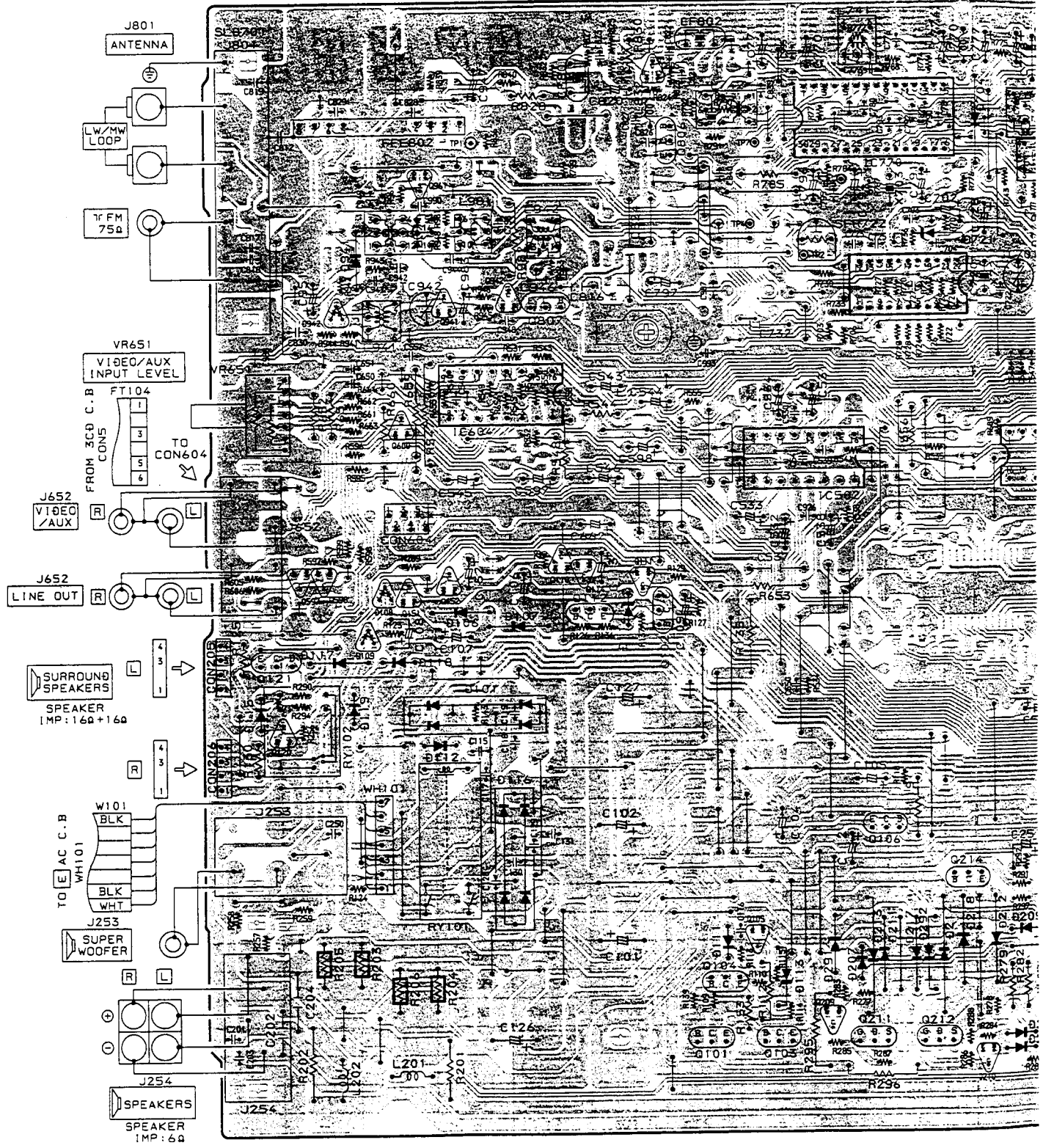
ANODE CONNECTION

	12G	11G	10G	9G	8G	7G	6G	5G	4G	3G	2G	1G
P1	B10	B10	B10	B10	S3	2d	2d	2d	2d	2d	n	20
P2	B1	B1	B1	B1	B1	2j, 2p	2j, 2p	2j, 2p	2j, 2p	2j, 2p	o	19
P3	B11	B11	B11	B11	AUTO	2n	2n	2n	2n	2n	3e	18
P4	B2	B2	B2	B2	B2	2r	2r	2r	2r	2r	3c	17
P5	B12	B12	B12	B12	(b)	2c	2c	2c	2c	2c	3a, 3d, 3g	16
P6	B3	B3	B3	B3	B3	2e	2e	2e	2e	2e	3b	15
P7	B13	B13	B13	B13	(#)	2m	2m	2m	2m	2m	2e	14
P8	B4	B4	B4	B4	B4	2g	2g	2g	2g	2g	2c	13
P9	B5	B5	B5	B5	B5	2f	2f	2f	2f	2f	2a, 2d, 2g	12
P10	B15	B15	B15	B15	▷	2b	2b	2b	2b	2b	l	11
P11	B6	B6	B6	B6	B6	2k	2k	2k	2k	2k	j	10
P12	B16	B16	B16	B16	◁	2h	2h	2h	2h	2h	MHZ	9
P13	B7	B7	B7	B7	B7	2a	2a	2a	2a	2a	k	8
P14	B14	B14	B14	B14	∩	PM (DOWN)	col 2	col 1 (UP)	MONO	KHZ	2b	7
P15	B17	B17	B17	B17	∪	AM (DOWN)	θp	col 1 (DOWN)	((⊙))	5	1e	6
P16	B8	B8	B8	B8	B8	SLEEP	1d	1d	1d	1d	1a, 1d, 1g	5
P17	B18	B18	B18	B18	B18	REC	1e	1e	1e	1e	1c	4
P18	B9	B9	B9	B9	B9	PM (UP)	1c	1c	1c	1c	1b	3
P19	B19 (T-BASS)	B19 (BBE)	(ROCK)	(POP)	(DO NR)	AM (UP)	1g	1g	1g	1g	m	2
P20	B20	B20	(DISCO)	(LIVE)	(RECORD)	—	1f	1f	1f	1f	A1	1
P21	B21	B21	—	—	(CLASSIC)	/	1b	1b	1b	1b	EDIT	
P22	B22	B22	—	—	(HALL)	⊙	1a	1a	1a	1a	PRGM	RANDOM
P23	S1 T-BASS	S1	S1 ROCK	S1 POP	S1	—	—	—	—	—	—	S2
P24	—	BBE	—	—	—	—	—	—	—	—	—	—
P25	—	—	DISCO	LIVE	HALL	—	—	—	—	—	—	—
P26	—	—	—	—	b #	—	—	—	—	—	—	—

1 2 3 4 5 6 7 8

A
B
C
D
E
F
G
H
I
J

A MAIN C. B

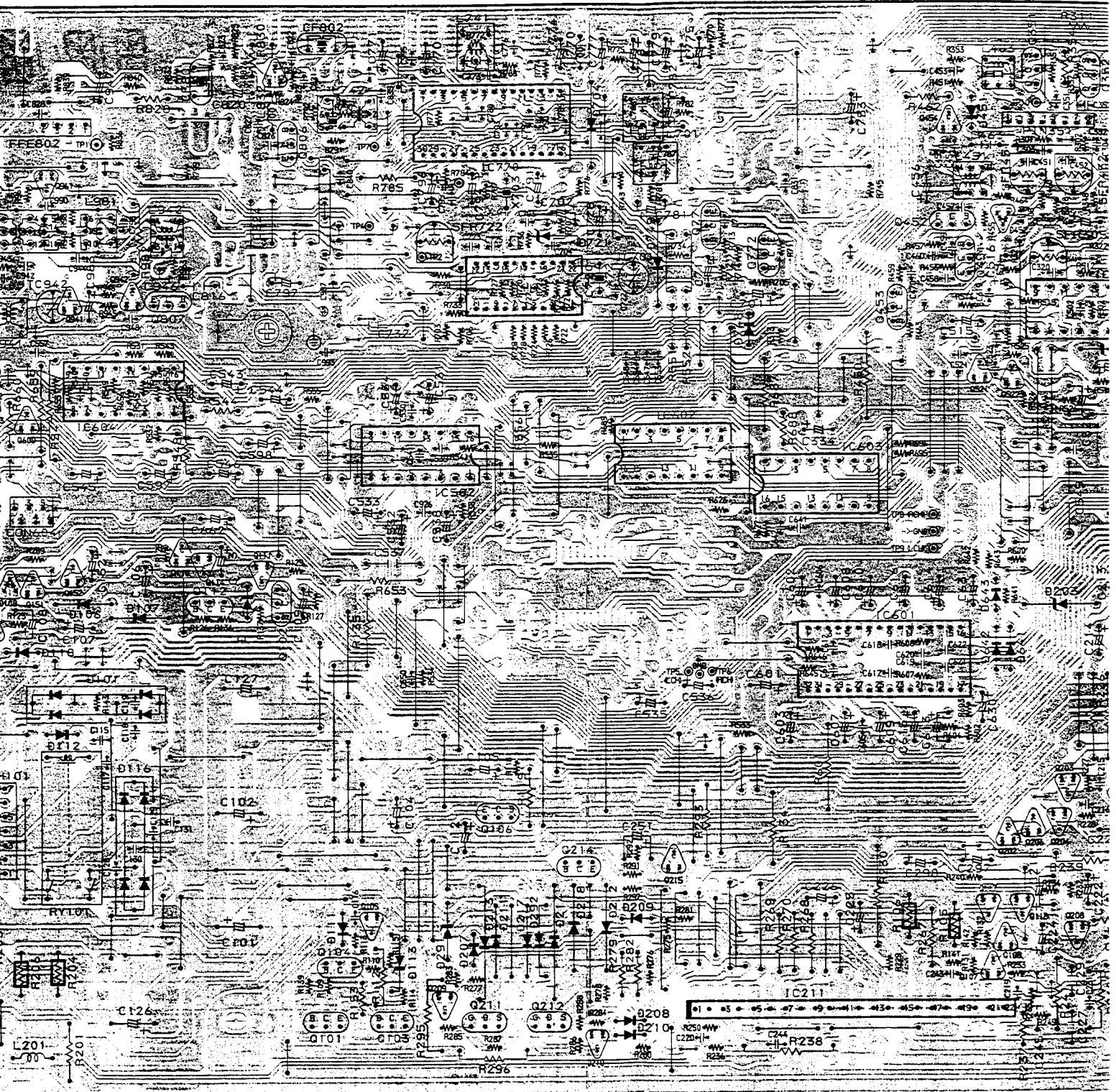


FROM HEAD-2 C.

CON351
3 5 7 8

TO PI

AINC.B



FROM I HEAD-2 C.B

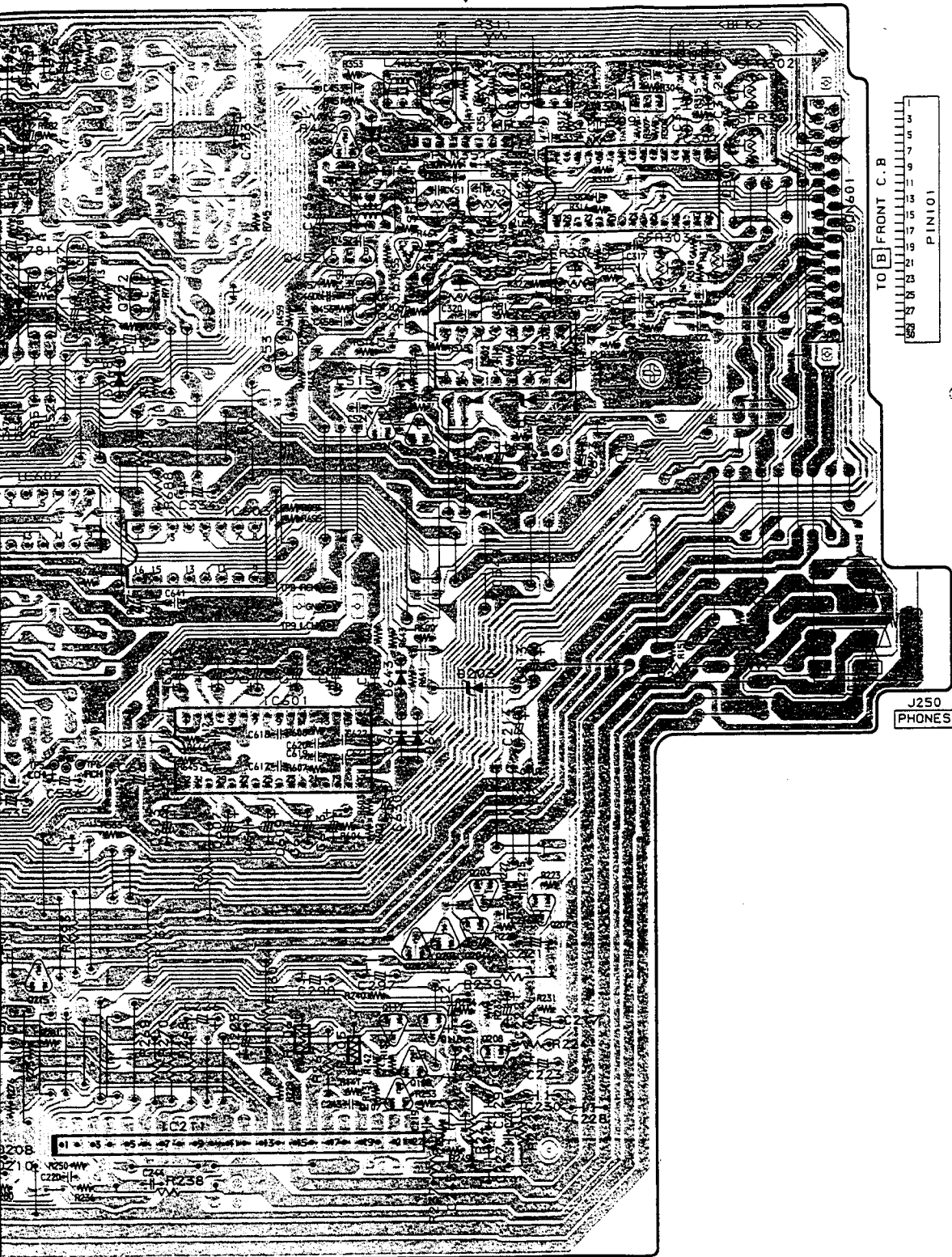
CON351
1 3 5 7 8

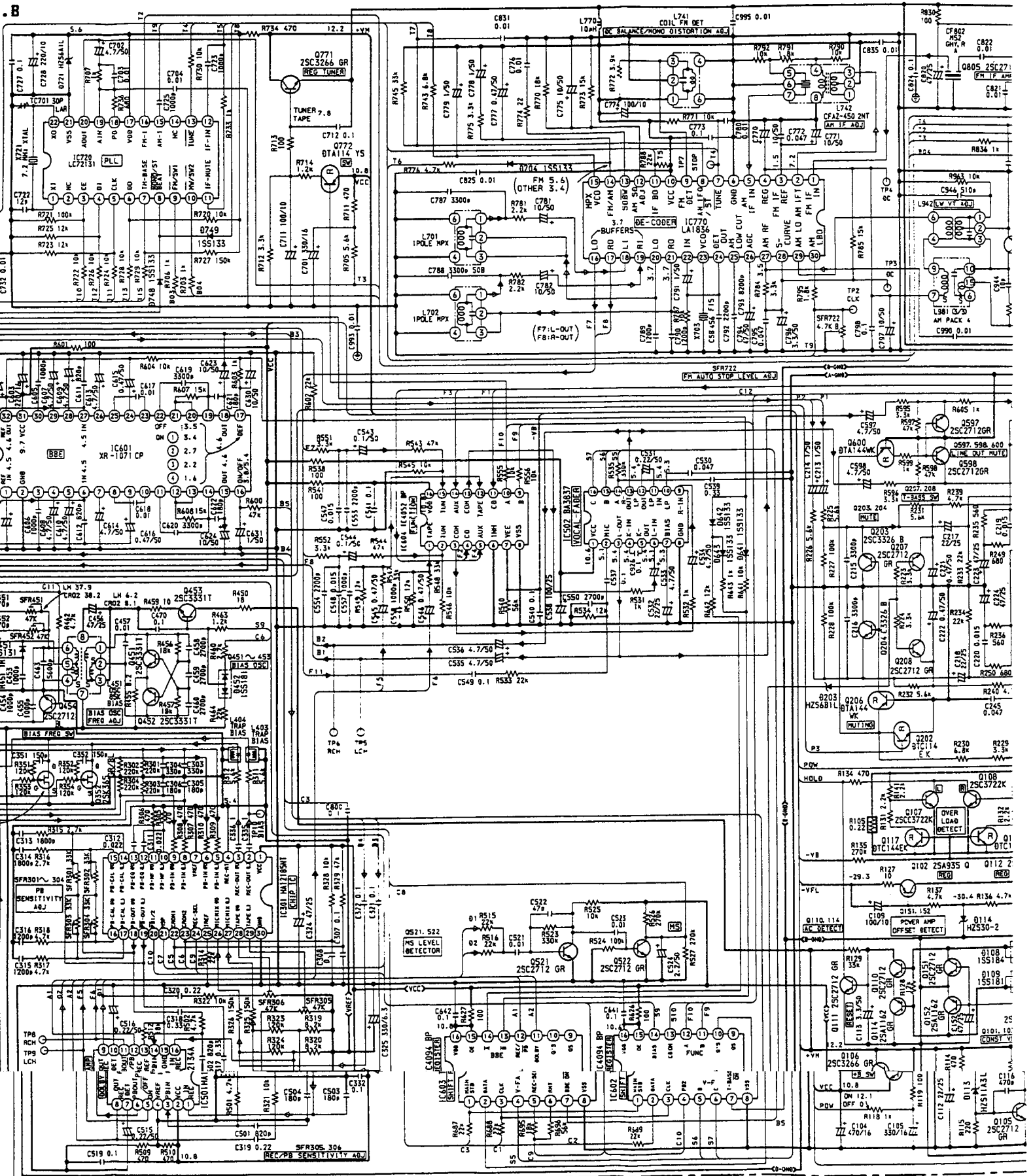
↓ TO PIN351

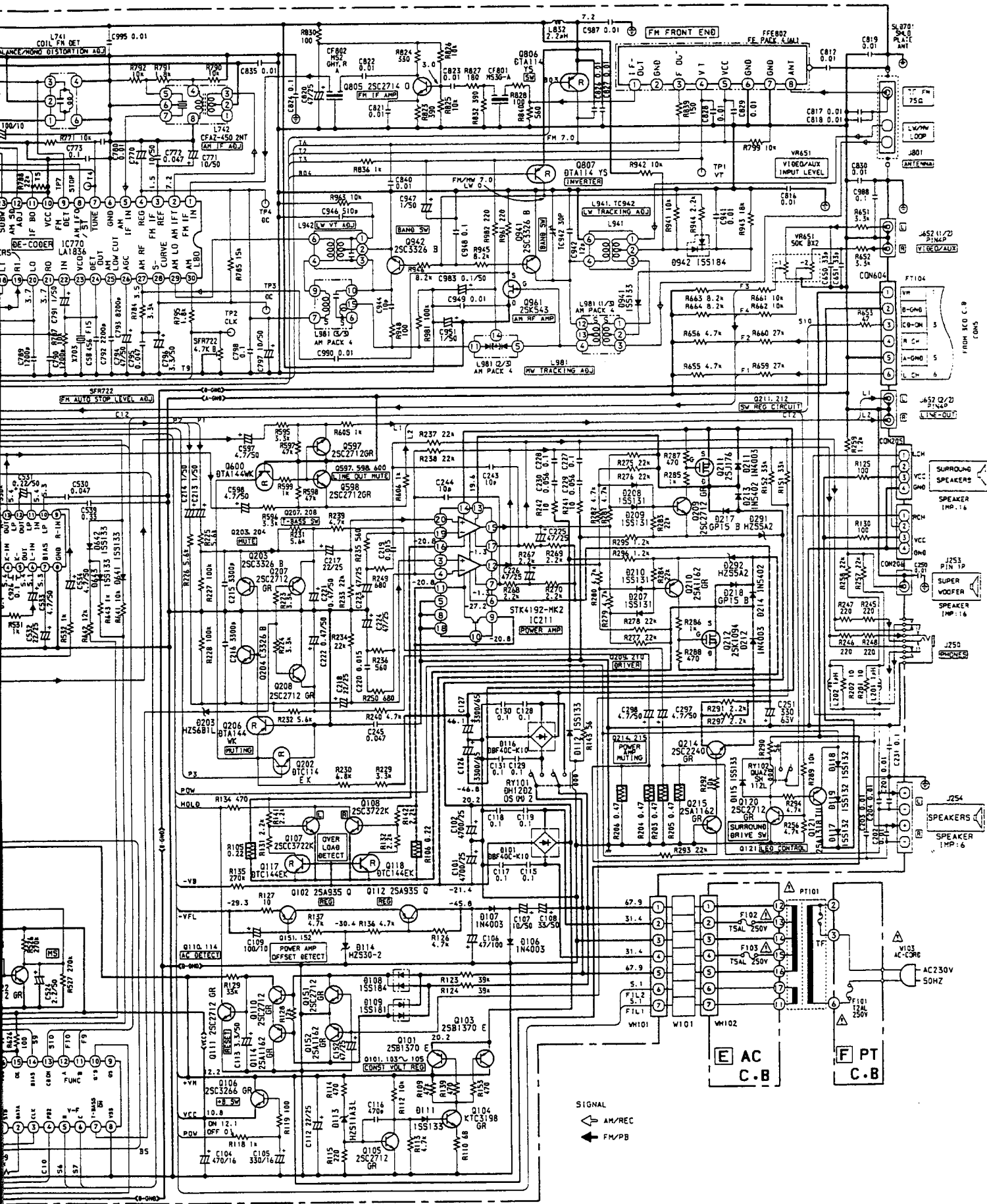
FROM H HEAD-1 C.B

CON301
1 3

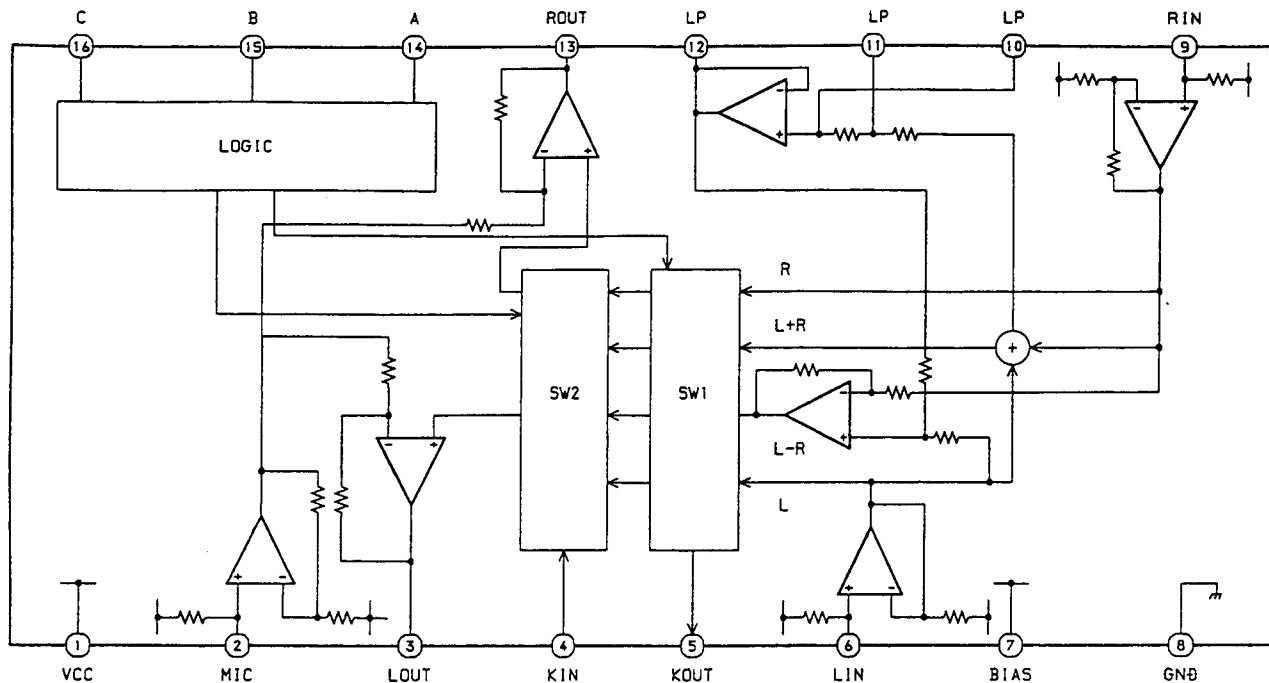
↓ TO PIN301



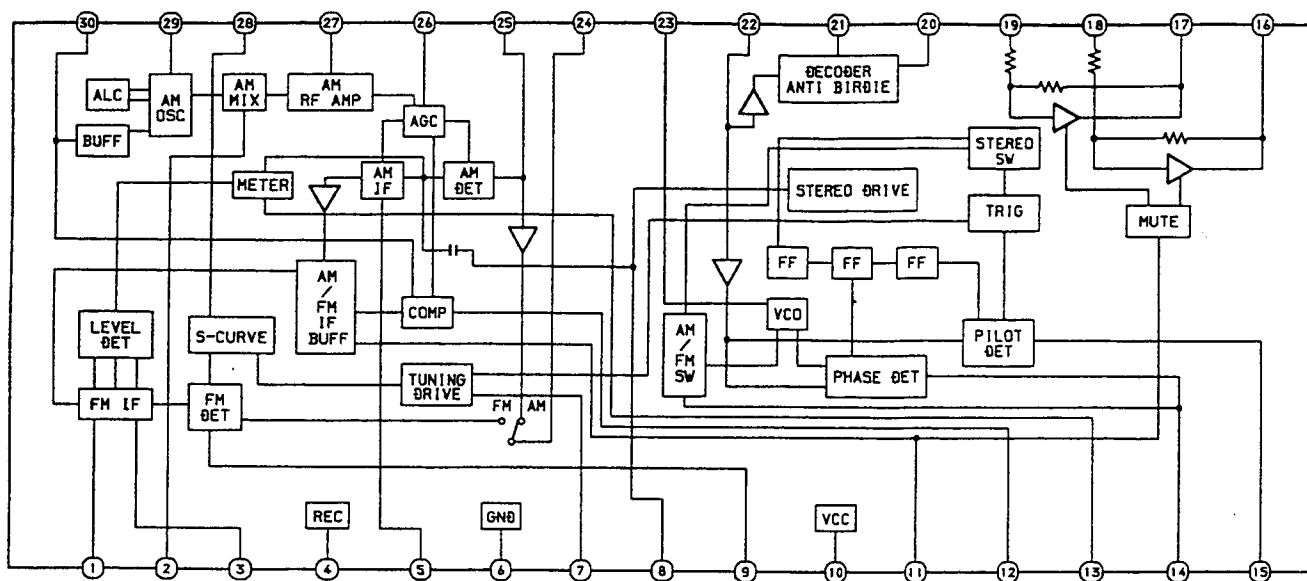




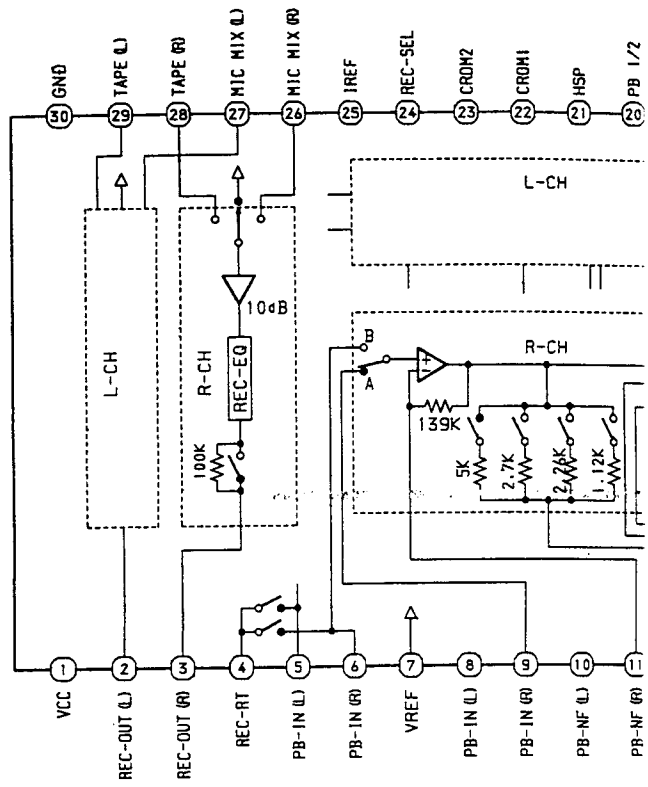
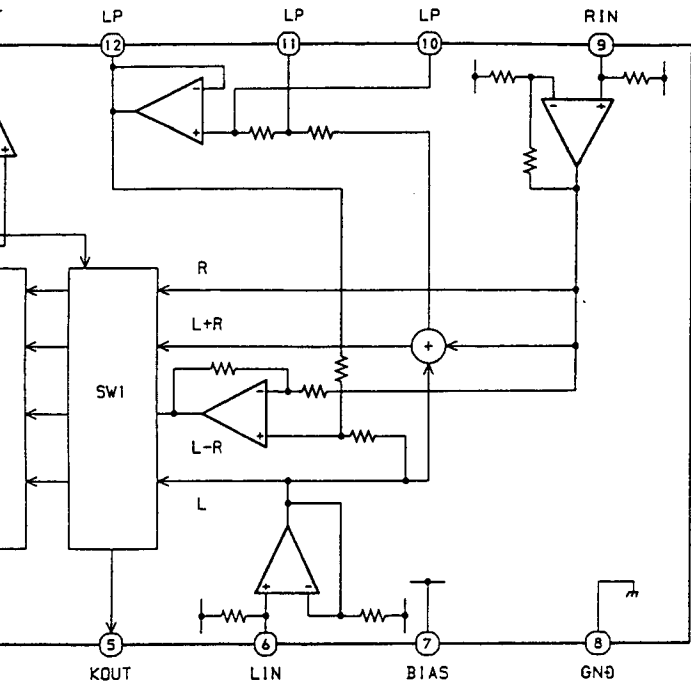
IC, BA3837



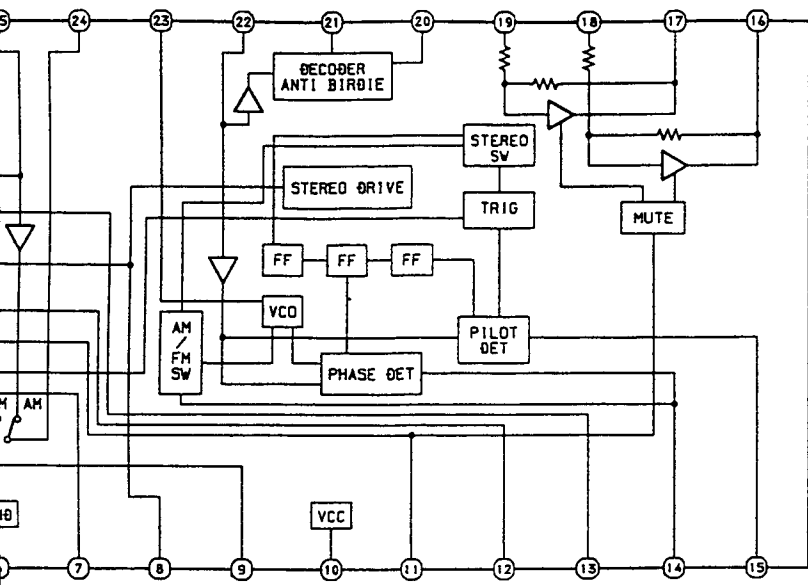
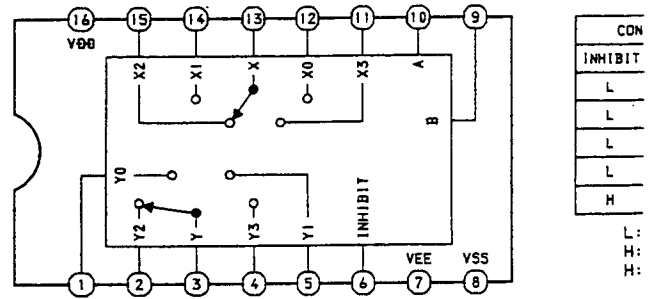
IC, LA1836



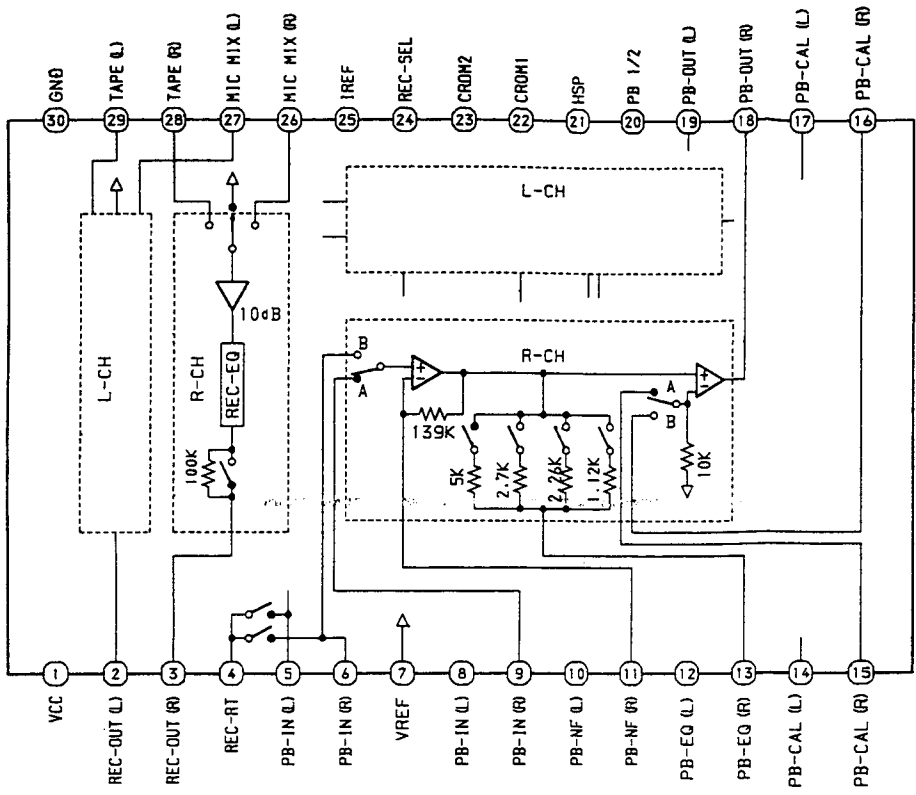
IC, HA12185NT



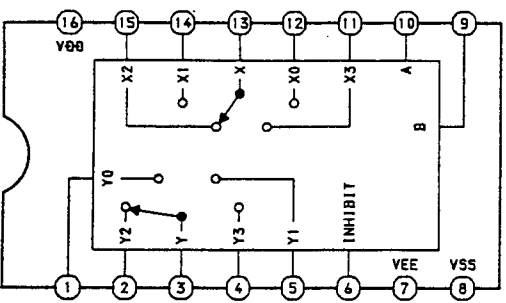
IC, TC4052



IC, HA12185NT

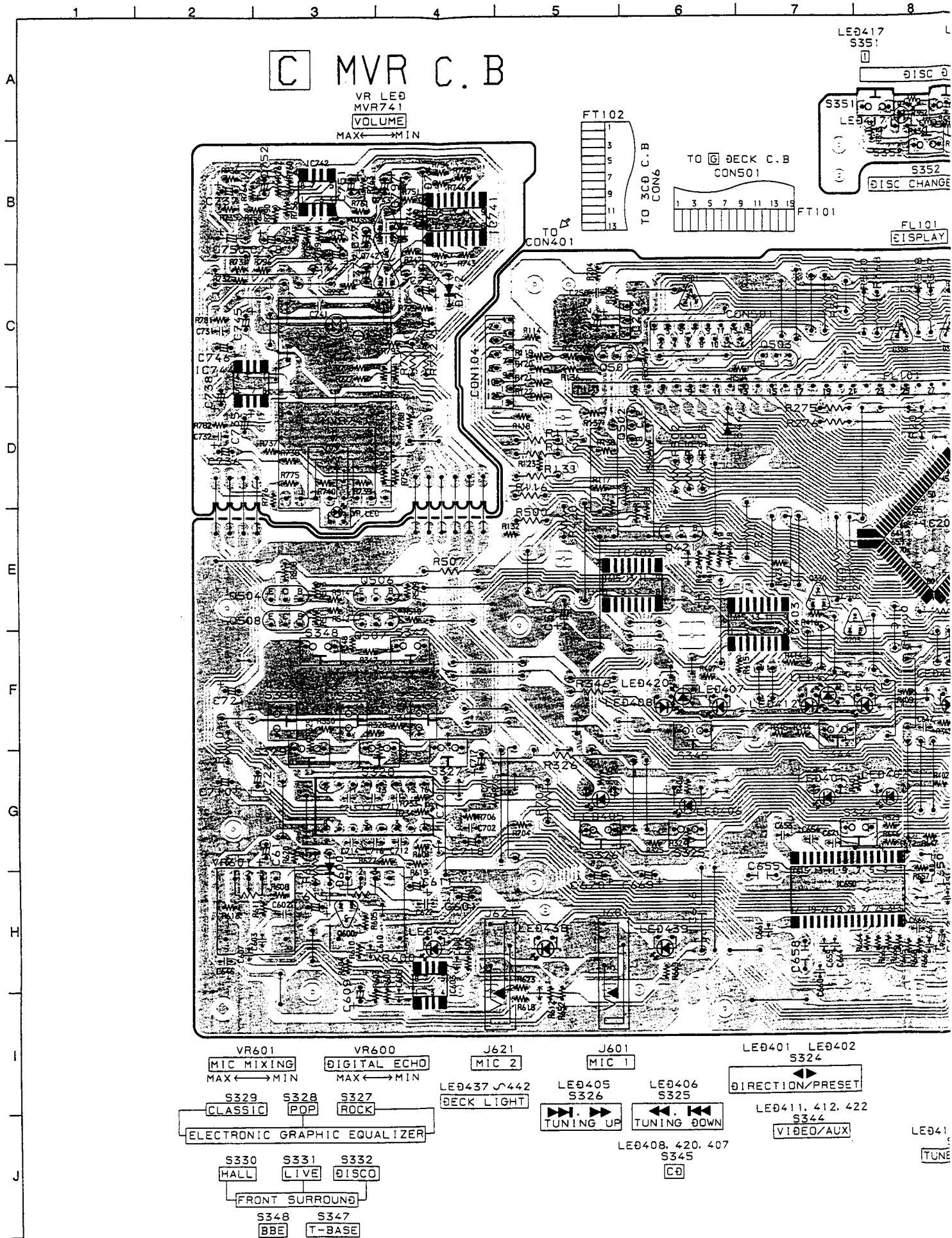


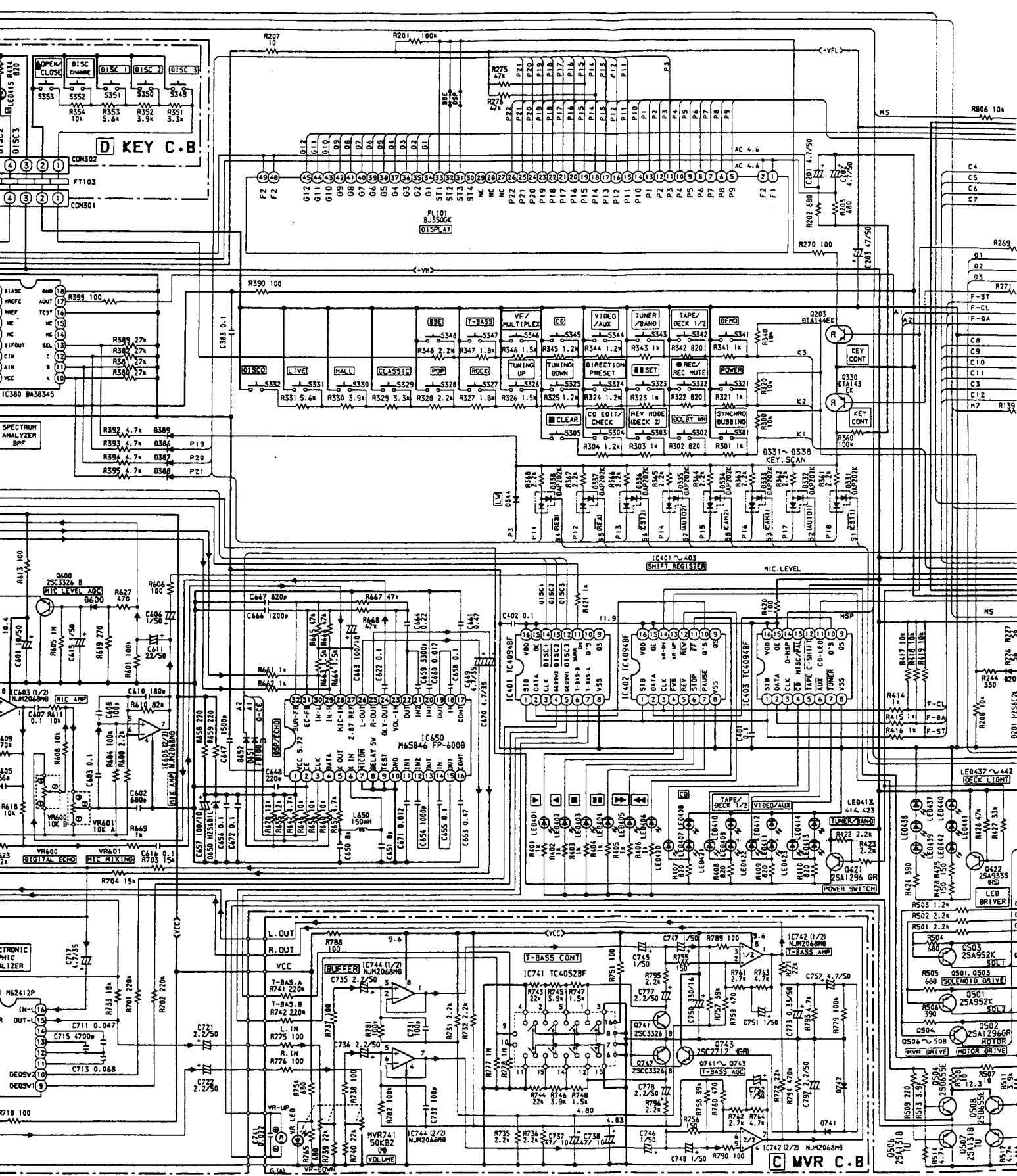
IC, TC4052



CONTROL INPUTS			ON SWITCH	
INHIBIT	B	A	Y0	X0
L	L	L	Y0	X0
L	L	H	Y1	X1
L	H	L	Y2	X2
L	H	H	Y3	X3
H	X	X	-	-

L: LOW LEVEL
 H: HIGH LEVEL
 X: IRRELEVANT



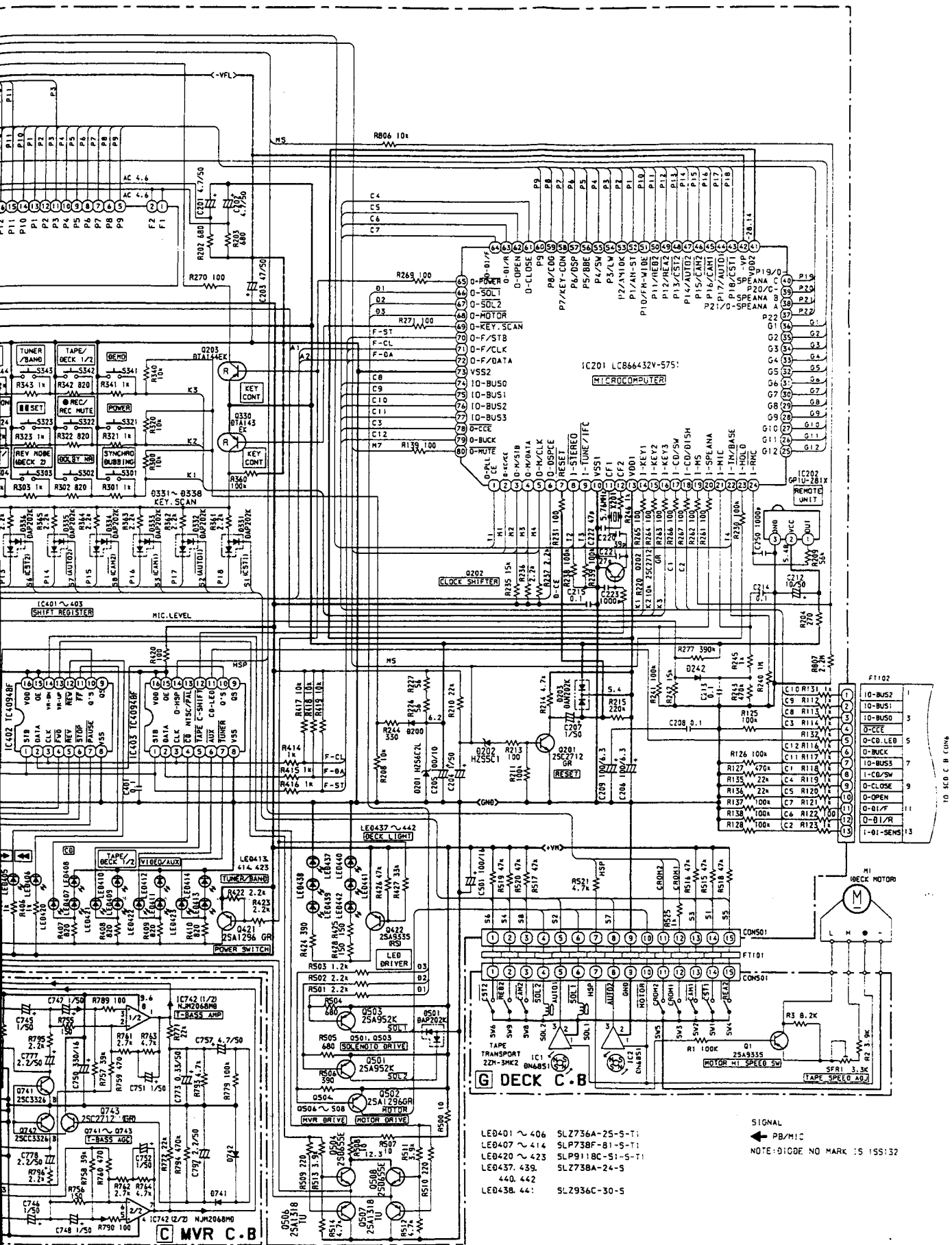


D KEY C.B.

F1 I/O BUSBOARD

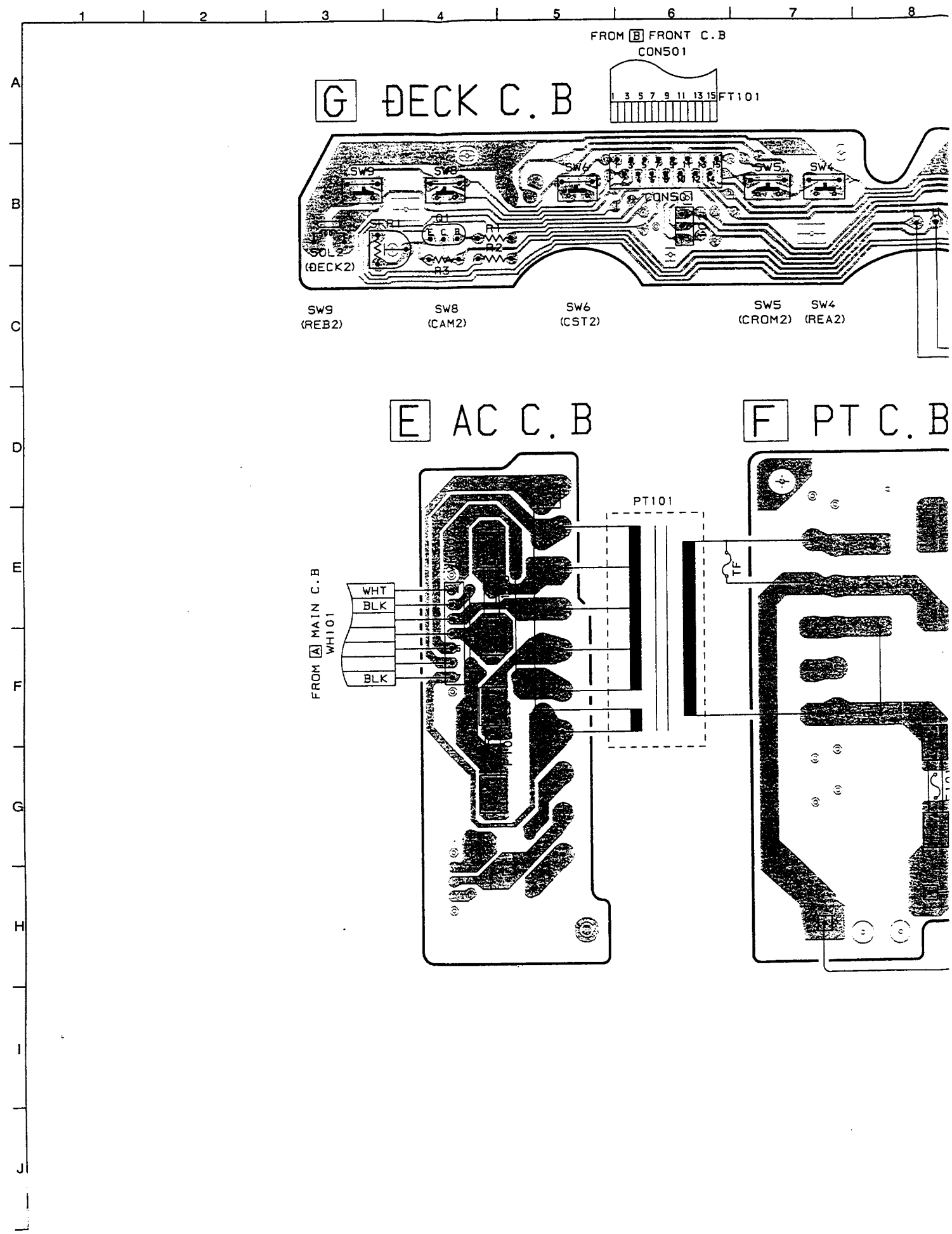
IC401 A.405

C MVR C.B.



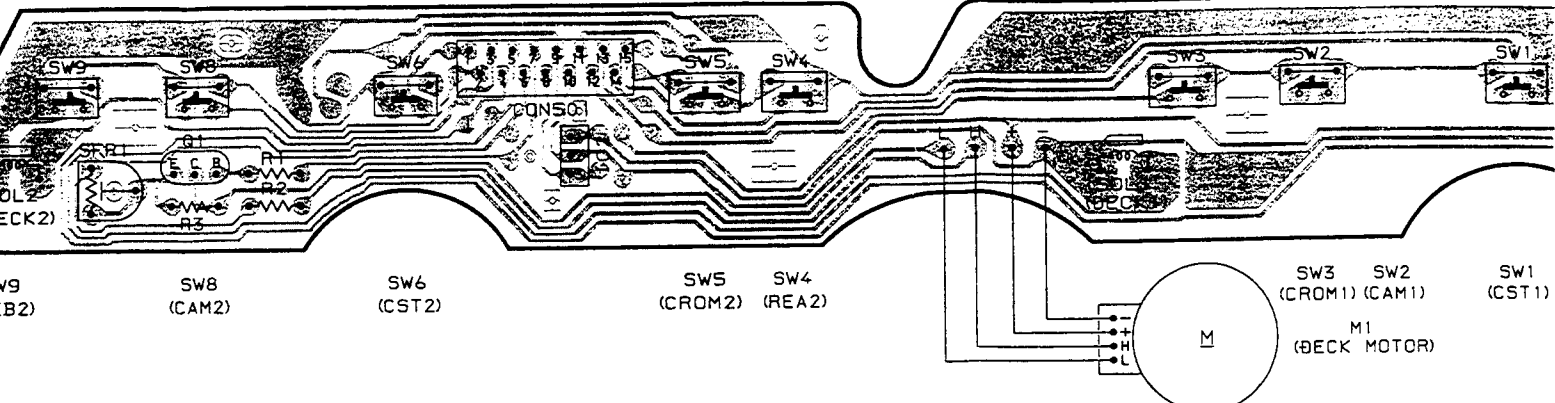
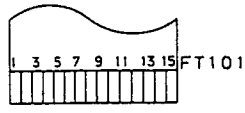
- LED401 ~ 406 SLZ736A-25-S-T
- LED407 ~ 414 SLP738F-81-S-T1
- LED420 ~ 423 SLP9118C-S1-S-T1
- LED437, 439, 440, 442, 444, 442 SLZ738A-24-S
- LED438, 44: SLZ936C-30-S

SIGNAL
 ← PB/MIC
 NOTE: D-CODE NO MARK :S 15S:32



FROM [B] FRONT C. B
CON501

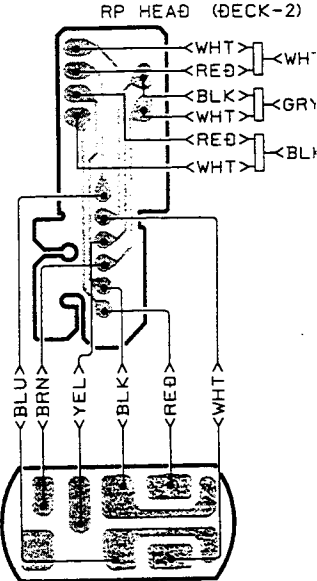
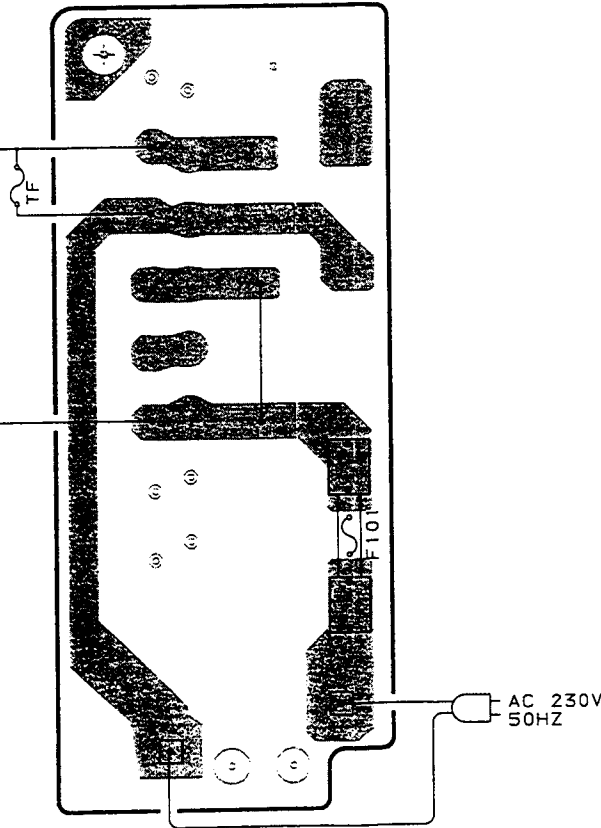
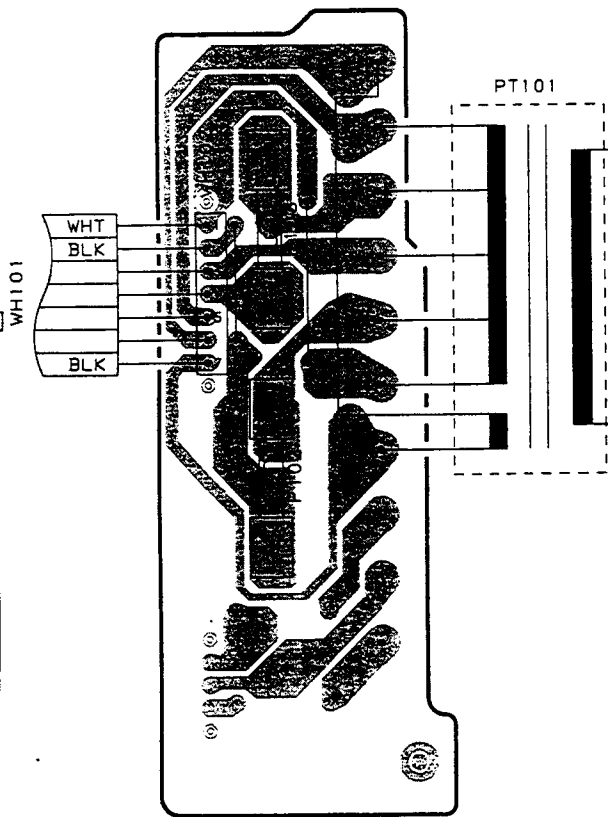
[G] DECK C. B



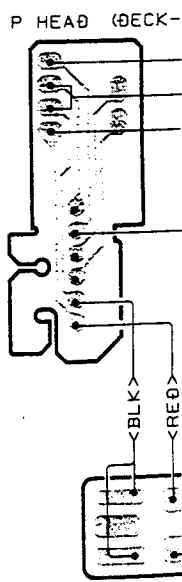
[E] AC C. B

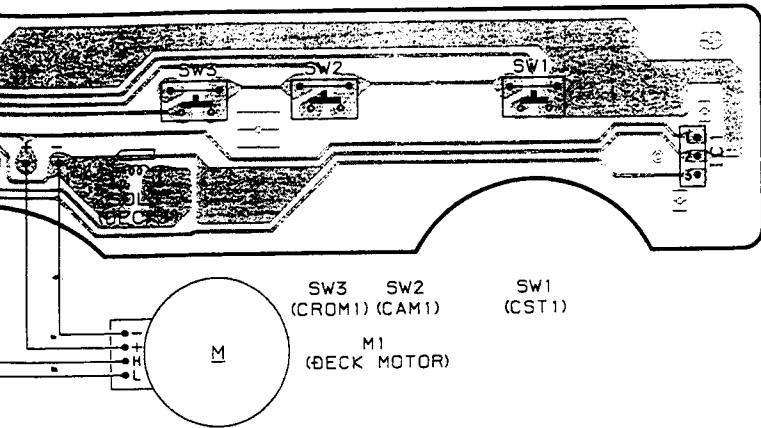
[F] PTC C. B

[I] HEAD -



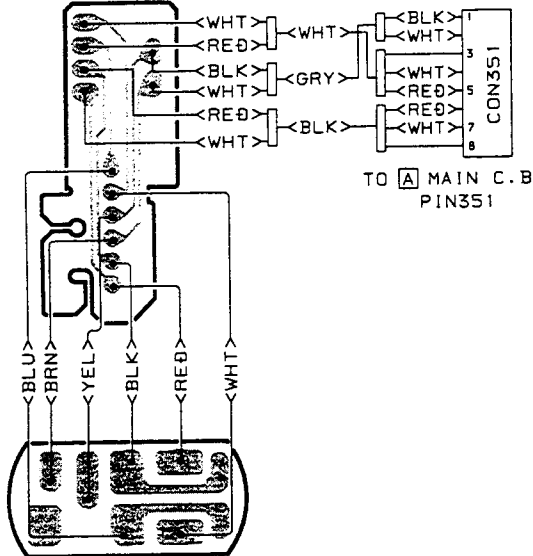
[H] HEAD -





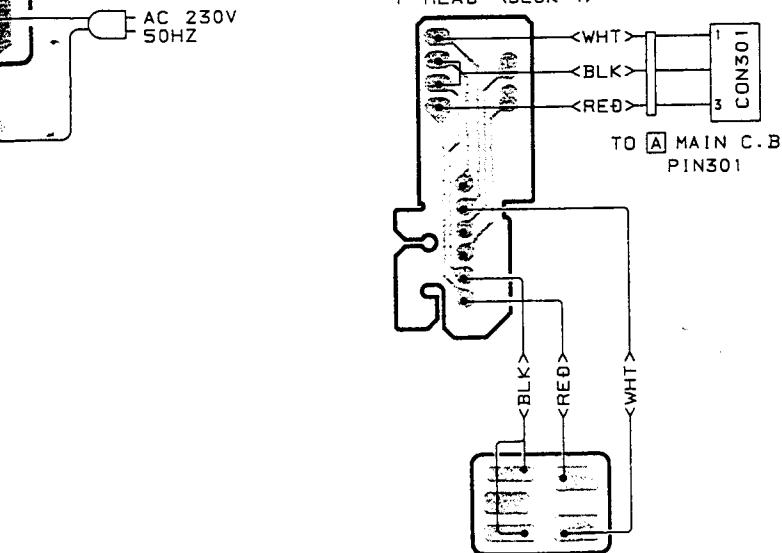
I HEAD-2 C.B

RP HEAD (DECK-2)



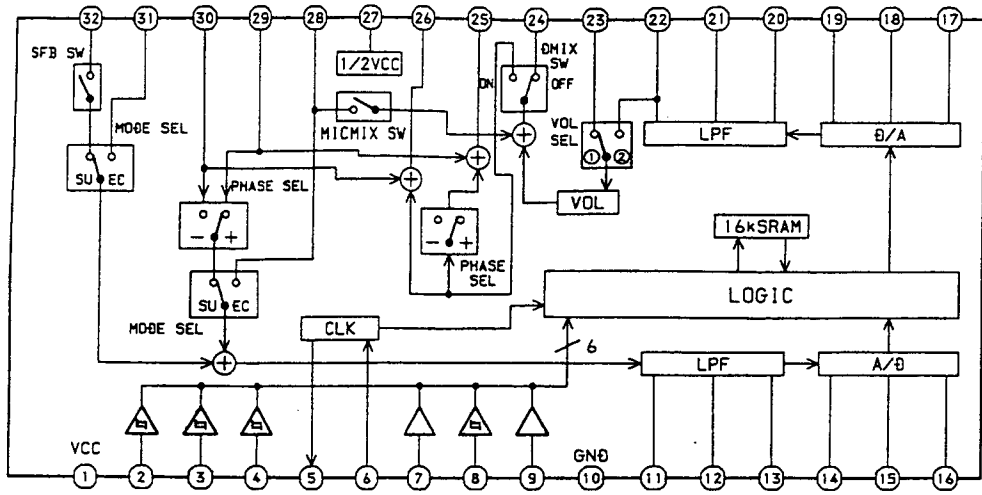
H HEAD-1 C.B

P HEAD (DECK-1)

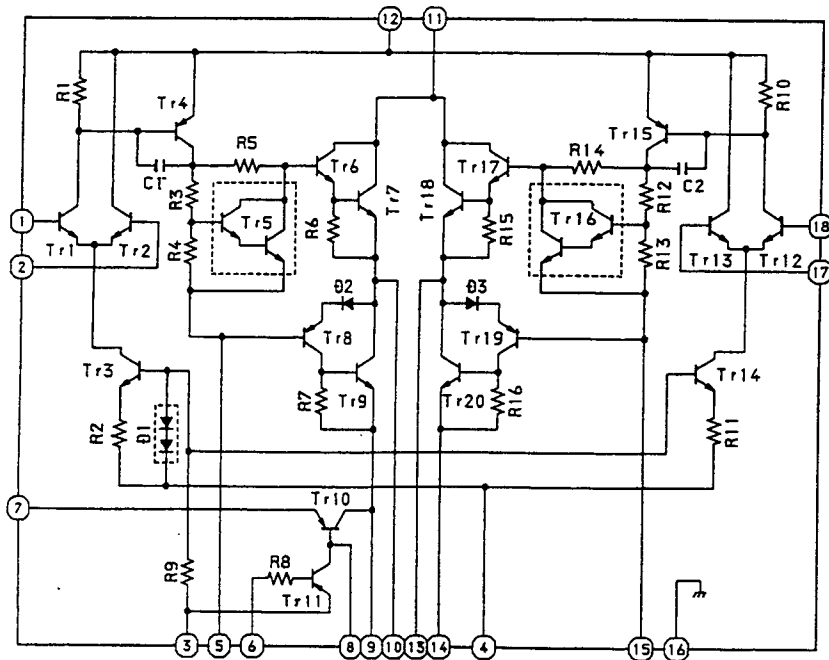


IC BLOCK DIAGRAM - 2

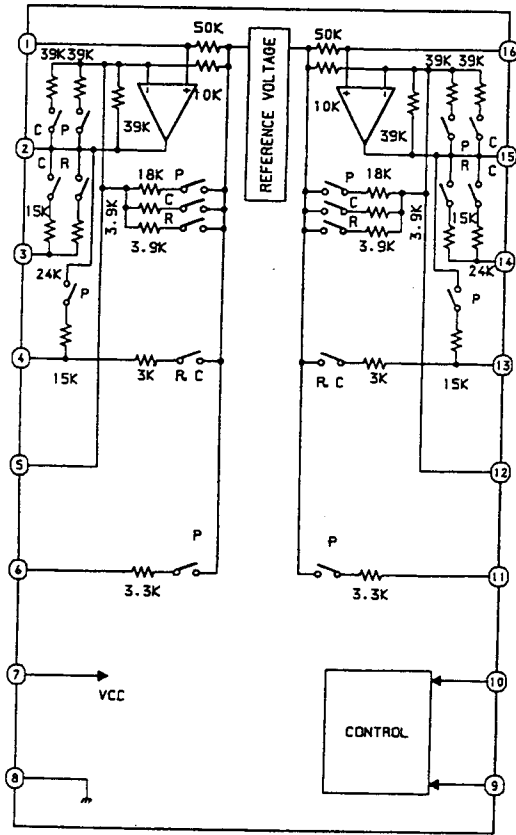
IC, M65846FP-600D



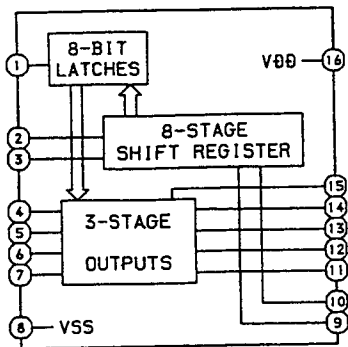
IC, STK4192-MK2



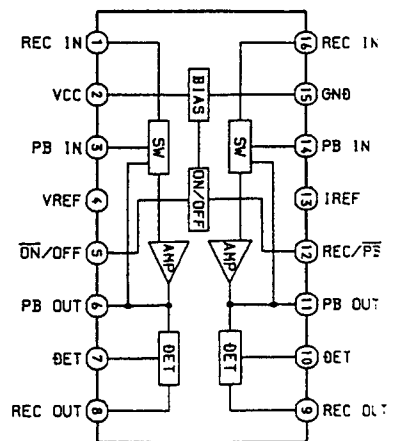
IC, M62412P



IC, TC4094BP



IC, HA12134A



IC DESCRIPTION

IC, LC72131

Pin No.	Pin Name	I/O	Description																											
1	XI	-	A crystal oscillator (7.2MHz) is connected between these pins.																											
22	XO	-																												
2	NC	-	Not used.																											
3	CE	I	To enable the IC. Active "H".																											
4	DI	I	Digital data input from CPU (LC866432V-5751) when relevant key is operated. Active "H".																											
5	CLK	I	To clock in the data DI.																											
6	DO	O	Digital data output to CPU (LC866432V-5751).																											
7	TM-BASE	O	Outputs a reference clock signal (8Hz) for the clock.																											
8	MONO/ST BEAT	O	Outputs "H" when MONO/ST BEAT is switched.																											
9	$\overline{\text{FM/SW1}}$	O	Output "L" or "H" as follows: <table border="1" style="margin-left: 20px;"> <thead> <tr> <th colspan="2">2 BAND</th> <th colspan="3">3 BAND</th> <th colspan="4">4 BAND</th> </tr> <tr> <th>AM</th> <th>FM</th> <th>LW</th> <th>MW</th> <th>FM</th> <th>LW</th> <th>SW1</th> <th>SW2</th> <th>FM</th> </tr> </thead> <tbody> <tr> <td>H</td> <td>L</td> <td>H</td> <td>H</td> <td>L</td> <td>H</td> <td>L</td> <td>H</td> <td>L</td> </tr> </tbody> </table>	2 BAND		3 BAND			4 BAND				AM	FM	LW	MW	FM	LW	SW1	SW2	FM	H	L	H	H	L	H	L	H	L
2 BAND		3 BAND			4 BAND																									
AM	FM	LW	MW	FM	LW	SW1	SW2	FM																						
H	L	H	H	L	H	L	H	L																						
10	$\overline{\text{MW/SW2}}$	O	Outputs "L" or "H" as follows: <table border="1" style="margin-left: 20px;"> <thead> <tr> <th colspan="2">2 BAND</th> <th colspan="3">3 BAND</th> <th colspan="4">4 BAND</th> </tr> <tr> <th>AM</th> <th>FM</th> <th>LW</th> <th>MW</th> <th>FM</th> <th>LW</th> <th>SW1</th> <th>SW2</th> <th>FM</th> </tr> </thead> <tbody> <tr> <td>L</td> <td>L</td> <td>H</td> <td>L</td> <td>L</td> <td>H</td> <td>H</td> <td>L</td> <td>L</td> </tr> </tbody> </table>	2 BAND		3 BAND			4 BAND				AM	FM	LW	MW	FM	LW	SW1	SW2	FM	L	L	H	L	L	H	H	L	L
2 BAND		3 BAND			4 BAND																									
AM	FM	LW	MW	FM	LW	SW1	SW2	FM																						
L	L	H	L	L	H	H	L	L																						
11	$\overline{\text{IF-MUTE}}$	O	To control internal counter.																											
12	IFIN	I	General purpose counter input.																											
13	$\overline{\text{TUNE}}$	I	Receives "L" when station is tuned.																											
14	NC	-	Not used.																											
15	AM-I	I	Receives the AM local oscillator frequency signal.																											
16	FM-I	I	Receives the FM local oscillator frequency signal.																											
17	VDD	-	Supply power to IC (+5V).																											
18	PD	O	PLL charge pump output.																											
19	AIN	I	Nch MOS transistor for PLL active low pass filter.																											
20	AOUT	O																												
21	VSS	-	Ground.																											

IC, BA3834S

Pin No.	Pin Name	I/O	Description
1	BIASC	-	Decoupling capacitor for linear VREF connecting terminal.
2	VREFC	-	Decoupling capacitor for logic VREF connecting terminal.
3	RREF	-	Reference resistor for setting band pass filter for connecting terminal.
4, 5	NC	-	Not used.
6	DIFOUT	O	Differential amplifier output terminal.
7	CIN	I	Differential amplifier input terminal 2.
8	AIN	I	Differential amplifier input terminal 1.
9	VCC	-	Nominally 5V.
10	A	O	Output selection control terminals (see table - 1).
11	B		
12	C		
13	SEL		
14, 15	NC	-	Not used.
16	TEST	-	Connected to ground.
17	A-OUT	O	Multiplexer output terminal.
18	GND	-	Ground.

Table - 1. Filter Select Table

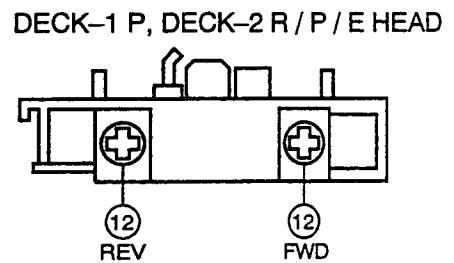
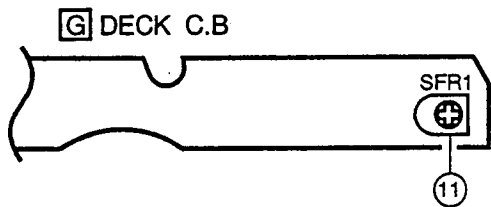
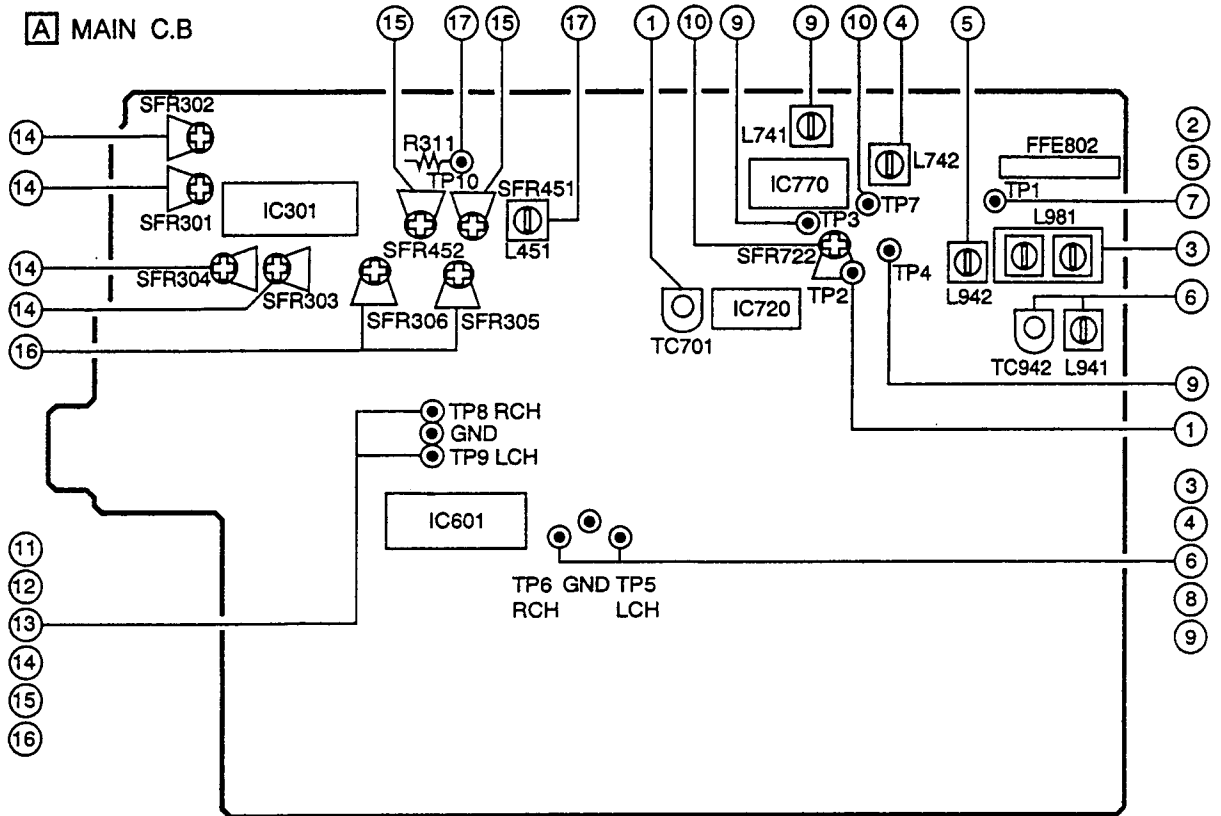
SEL	A	B	C	AOUT
0	X	X	X	GND
1	0	0	0	GND
1	0	0	1	68Hz
1	0	1	0	170Hz
1	0	1	1	420Hz
1	1	0	0	1kHz
1	1	0	1	2.4kHz
1	1	1	0	5.9kHz
1	1	1	1	14.4kHz

IC, LC866432V-5751

Pin No.	Pin Name	I/O	Description
1	O-PLL CE	O	PLL IC chip enable.
2	O-KC/CE	O	Key control IC M65840FP data latched strobe output.
3	O-M/STB	O	Main shift register (IC602, 603) data latch strobe output.
4	O-M/DATA	O	Main shift register (IC602, 603), PLL/key control/DSP related data output.
5	O-M/CLK	O	Main shift register (IC 602, 603), PLL/key control/DSP related clock output.
6	O-DSPCE	O	DSP data latch strobe output.
7	$\overline{\text{RESET}}$	I	Reset input.
8	$\overline{\text{I-STEREO}}$	I	Tuner stereo detected input.
9	$\overline{\text{I-TUNE/IFC}}$	I	Tuner $\overline{\text{SD}}$ detected input. IF count serial data input.
10	VSS1	-	GND.
11, 12	CF1, 2	-	5.76MHz oscillator circuit.
13	VDD1	-	Power supply input.
14 ~ 16	I-KEY1 ~ 3	I	Key input. (A/D)
17	I-CD/SW	I	CD mechanical switch A/D converter input.
18	I-CD/DISH	I	CD turntable photo sensor A/D converter input.
19	I-MS	I	Deck music sensor signal input.
20	I-SPEANA	I	A/D input for spectrum analyzer display.
21	I-MC	I	Microphone input for auto VF display.
22	I-TM BASE	I	Reference clock input for timer watch.
23	$\overline{\text{I-HOLD}}$	I	Power failure detected input. "L" to stop clock and maintain memory.
24	$\overline{\text{I-RMC}}$	I	System remote control signal input.
25 ~ 36	G12 ~ G1	O	FL grid output G12 ~ G1.
37	P22	O	FL segment output P22.
38	P21/O-SPEANA A	O	FL segment output P21, spectrum analyzer band switch output (A).
39	P20/O-SPEANA B	O	FL segment output P20, spectrum analyzer band switch output (B).
40	P19/O-SPEANA C	O	FL segment output P19, spectrum analyzer band switch output (C).
41	VDD2	-	Power supply input.
42	-VP	-	Power supply input (-34.5V) for FL display.
43	P18/ $\overline{\text{CST1}}$	O/I	FL segment output P18, DECK1 cassette detect switch data input.
44	P17/ $\overline{\text{AUTO1}}$	O/I	FL segment output P17, DECK1 auto stop signal input.
45	P16/ $\overline{\text{CAM1}}$	O/I	FL segment output P16, DECK1 cam switch data input.
46	P15/ $\overline{\text{CAM2}}$	O/I	FL segment output P15, DECK2 cam switch data input.
47	P14/ $\overline{\text{AUTO2}}$	O/I	FL segment output P14, DECK2 auto stop signal input.
48	P13/ $\overline{\text{CST2}}$	O/I	FL segment output P13, DECK2 cassette detect switch data input.
49	P12/REA2	O/I	FL segment output P12, DECK2 side-A record OK switch data input.
50	P11/REB2	O/I	FL segment output P11, DECK2 side-B record OK switch data input.
51	P10/FM-WIDE	O/I	FL segment output P10, FM wide mode data input to diode.
52	P1/AM-ST	O/I	FL segment output P1, AM stereo mode data input to diode.
53	P2/AM10K	O/I	FL segment output P2, AM 10kHz step data input to diode.
54	P3/LW	O/I	FL segment output P3, LW mode data input to diode.

Pin No.	Pin Name	I/O	Description
55	P4/SW	O/I	FL segment output P4, SW mode data input to diode.
56	P5/BBE	O/I	FL segment output P5, BBE mode data input to diode.
57	P6/DSP	O/I	FL segment output P6, DSP data input to diode.
58	P7/KEY-CON	O/I	FL segment output P7, key control data input to diode.
59	P8/CDG	O/I	FL segment output P8, CDG data input to diode.
60	P9	O	FL segment output P9.
61	O-CLOSE	O	CD tray close data output.
62	O-OPEN	O	CD tray open data output.
63	O-DI/R	O	CD turntable reverse rotation output.
64	O-DI/F	O	CD turntable forward rotation output.
65	O-POWER	O	System power supply ON/OFF output.
66	O-SOL1	O	DECK1 solenoid output.
67	O-SOL2	O	DECK2 solenoid output.
68	O-MOTOR	O	DECK motor output.
69	O-KEY. SCAN	O	Switch scan timing output.
70	O-F/STB	O	Front shift register (IC401 ~ 403), data latch strobe output.
71	O-F/CLK	O	Front shift register (IC401 ~ 403), data transfer clock output.
72	O-F/DATA	O	Front shift register (IC401 ~ 403), data output.
73	VSS2	-	GND.
74 ~ 77	IO-BUS0 ~ 3	I/O	CD IC control data bus input/output.
78	O-CCE	O	CD IC control chip enable output.
79	O-BUCK	O	CD IC control data bus clock output.
80	O-MUTE	O	System mute output.

ADJUSTMENT - 1 <TUNER / DECK>



< TUNER SECTION >

1. Clock Frequency Adjustment
 Settings : • Test point : TP2 (CLK IC770 pin30)
 • Adjustment location : TC701
 Method : Set to MW 1602kHz and adjust TC701 so that the test point becomes 2052kHz \pm 0.01kHz.
2. MW VT Check
 Settings : • Test point : TP1 (VT)
 Method : Set to MW 1602kHz and check that the test point is 6.8V \pm 1.0V .
3. MW Tracking Adjustment
 Settings : • Test point : TP5, TP6
 • Adjustment location : L981
 Method : Set to MW 999kHz and adjust L981 so that the test point becomes maximum.
4. AM IF Adjustment
 Settings : • Test point : TP5, TP6
 L742 450kHz
5. LW VT Adjustment
 Settings : • Test point : TP1 (VT)
 • Adjustment location : L942
 Method : Set to LW 144kHz and adjust L942 so that the test point becomes 1.5V \pm 0.05V.
6. LW Tracking Adjustment
 Settings : • Test point : TP5, TP6
 • Adjustment location :
 L941 144kHz
 TC942 290kHz
 Method : Set up TC942 to center before adjustment. The level at 144kHz is adjusted to MAX by L941. Then the level at 290kHz is adjusted to MAX by TC942.

7. FM VT Check
 Settings : • Test point : TP1 (VT)
 Method : Set to FM 87.5MHz, 108.0MHz and check that the test point is more than 1.5V (87.5MHz) and less than 8.2V(108.0MHz).
8. FM Tracking Check
 Settings : • Test point : TP5, TP6
 Method : • Set to FM 98.0MHz and check that the test point is 6dB \pm 6dB.
9. DC Balance / Mono Distortion Adjustment
 Settings : • Test point : TP3, TP4 (DC balance)
 TP5, TP6 (Distortion)
 • Adjustment location : L741
 • Input level : 54dB
 Method : Set to FM 98.0MHz and adjust L741 so that the voltage between TP3 and TP4 becomes 0V \pm 0.04V.
 Next, check that the distortion is less than 1.3%.
10. Auto Stop Level Adjustment
 Settings : • Test point : TP7
 • Adjustment location : SFR722
 • Input level : 16dB
 Method : Set to FM 98.0 MHz and adjust voltage low (about 0.01V) by SFR722. After that voltage high (about 7.0V) out by 2dB down.

< DECK SECTION >

11. Tape Speed Adjustment
 Settings : • Test tape : TTA-100
 • Test point : TP8, TP9
 • Adjustment location : SFR1
 Method : Play back the test tape by DECK 2 and adjust SFR1 so that the frequency counter reads 3000Hz \pm 5Hz.
12. Head Azimuth Adjustment
 Settings : • Test tape : TTA-300
 • Test point : TP8, TP9
 • Adjustment location : Head azimuth adjustment screw
 Method : Play back the 10kHz signal of the test tape and adjust screw so that the output becomes maximum. Next, perform on each FWD PLAY and REV PLAY mode.
13. PB Frequency Response Check (DECK 1, DECK 2)
 Settings : • Test tape : TTA-300
 • Test point : TP8, TP9
 Method : Play back the 315Hz and 10kHz signals of the test tape and check that the output ratio of the 10kHz signal is with respect to that of the 315Hz signal is \pm 2dB.

14. PB Sensitivity Adjustment
 Settings : • Test tape : TTA-200
 • Test point : TP8, TP9
 • Adjustment location :
 SFR301 (DECK 1, Lch)
 SFR302 (DECK 1, Rch)
 SFR303 (DECK 2, Lch)
 SFR304 (DECK 2, Rch)
 Method : Play back the test tape and adjust SFRs so that the output level of the test point becomes 300mV.
15. REC/PB Frequency Response Adjustment
 Settings : • Test tape : TTA-602
 • Test point : TP8, TP9
 • Input signal : 1kHz / 10kHz (LINE IN)
 • Adjustment location : SFR451 (Lch)
 SFR452 (Rch)
 Method : Apply a 1kHz signal and REC mode. Then adjust OSC attenuator so that the output level at the TP8, TP9 becomes 21mV. Record and play back the 1kHz and 10kHz signals and adjust SFRs so that the output of the 10kHz signals becomes 0dB \pm 0.5dB with respect to that of the 1kHz signal.
16. REC/PB Sensitivity Adjustment
 Settings : • Test tape : TTA-602
 • Test point : TP8, TP9
 • Input signal : 1kHz (LINE IN)
 • Adjustment location : SFR305 (Lch)
 SFR306 (Rch)
 Method : Apply a 1kHz signal and REC mode. Then adjust OSC attenuator so that the output level at the TP8, TP9 becomes 21mV. Record and play back the 1kHz signals and adjust SFRs so that the output is 21mV \pm 0.5dB.
17. Bias OSC Frequency Adjustment
 Settings : • Test tape : TTA-601
 • Test point : TP10 (R311)
 • Adjustment location : L451
 Method : Set to the REC mode. Adjust L451 so that the frequency counter of the test point reads 85kHz \pm 0.1kHz.

PRACTICAL SERVICE FIGURE

<TUNER SECTION>

<FM SECTION>

IHF Sensitivity : 6dB \pm 6dB
(THD 3%) (87.5 / 98.0 / 108.0MHz)
S/N 50dB Quieting sensitivity :
31dB \pm 5dB
(87.5 / 98.0 / 108.0MHz)
Signal to noise ratio : More than 64dB (98.0MHz)
Distortion : Less than 1.2% (98.0MHz)
Stereo separation : More than 22dB (98.0MHz)
Intermediate frequency : 10.7MHz

<MW SECTION>

Sensitivity : 48 ~ 62dB (603kHz)
(S/N 20 dB) 47 ~ 59dB (999kHz)
47 ~ 59dB (1404kHz)
Distortion : Less than 1.5% (999kHz)
Intermediate frequency : 450kHz

<LW SECTION>

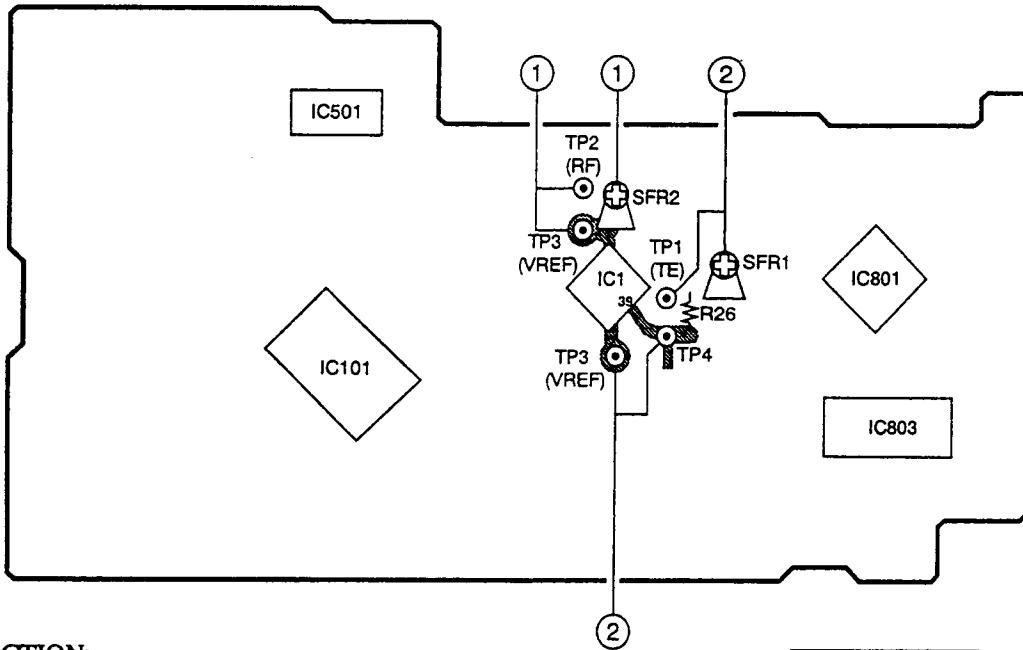
Sensitivity : 66dB \pm 5dB (144kHz)
(S/N 20dB) 63dB \pm 5dB (198kHz)
62dB \pm 5dB (290kHz)
Distortion : Less than 1.5% (198kHz)
Intermediate frequency : 450kHz

<DECK SECTION>

Tape speed : 3000Hz \pm 45Hz
Wow & flutter : Less than 0.4% (R.M.S)
Take-up torque : 30 ~ 55g-cm (FWD, REV)
F.F & REW torque : 75 ~ 180g-cm
Back tension : 2 ~ 7g-cm (FWD, REV)
PB Output level : 2.8V \pm 1.5dB (SP OUT 2V)
REC/PB Output level : 2.0V ~ 3.5dB ~ 2.0V + 0.5dB
(SP OUT 2V)
Distortion (REC/PB) : Less than 2.0% (NORM, CrO2)
Noise level (PB) : Less than 100mV / 170mV
(DOLBY NR ON / OFF
CrO2 Vol MAX.)
Less than 90mV / 200mV
(DOLBY NR ON / OFF
NORM. Vol MAX.)
Noise level (REC/PB) : Less than 3.0mV / 7.0mV
(DOLBY NR ON / OFF
CrO2 SP OUT 2V)
Less than 3.5mV / 8.0mV
(DOLBY NR ON / OFF
NORM. SP OUT 2V)
Crosstalk : More than 60dB (1kHz, 0VU)
Channel separation : More than 40dB (1kHz, 0VU)
Erasing ratio : More than 60dB (at 125Hz)
REC bias frequency : 85kHz
Test tape : NORMAL : TTA-602
CrO2 : TTA-610

ADJUSTMENT - 2 <CD>

3CD C.B

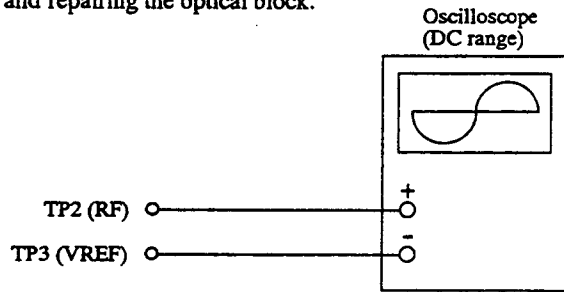


<CD SECTION>

Note : Connect a probe (10:1) of the frequency counter or the oscilloscope to a test point.

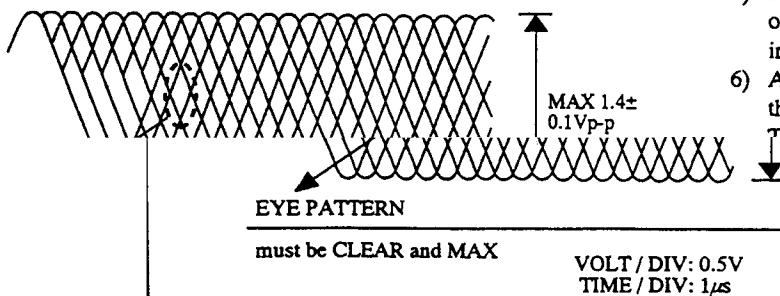
1. Focus Bias Adjustment

Make the focus bias adjustment when replacing and repairing the optical block.

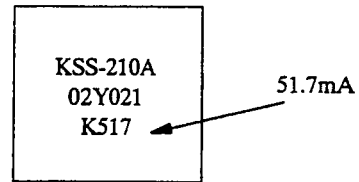


- 1) Connect an oscilloscope to the test points TP2 (RF) and TP3 (VREF).
- 2) Turn on the power switch.
- 3) Insert test disc TCD-782 (YEDS-18) and play back the second composition.
- 4) Adjust SFR2 so that RF signal of the test point TP2 (RF) is MAX and CLEARREST.

RF signal waveform

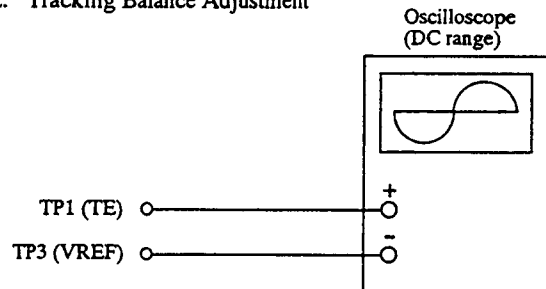


Note : The current of the laser signal can be checked with the voltages on both sides of R2 (10Ω). The difference for the specified value shown on the level must be within ± 6.0mA.

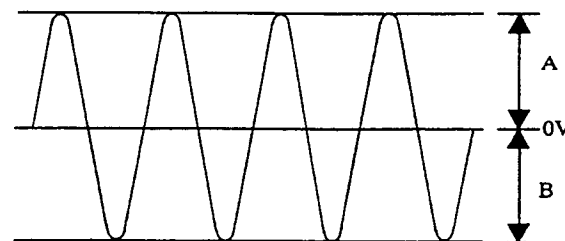


$$\text{Laser current } I_{op} = \frac{\text{Voltage across R2}}{10\Omega}$$

2. Tracking Balance Adjustment

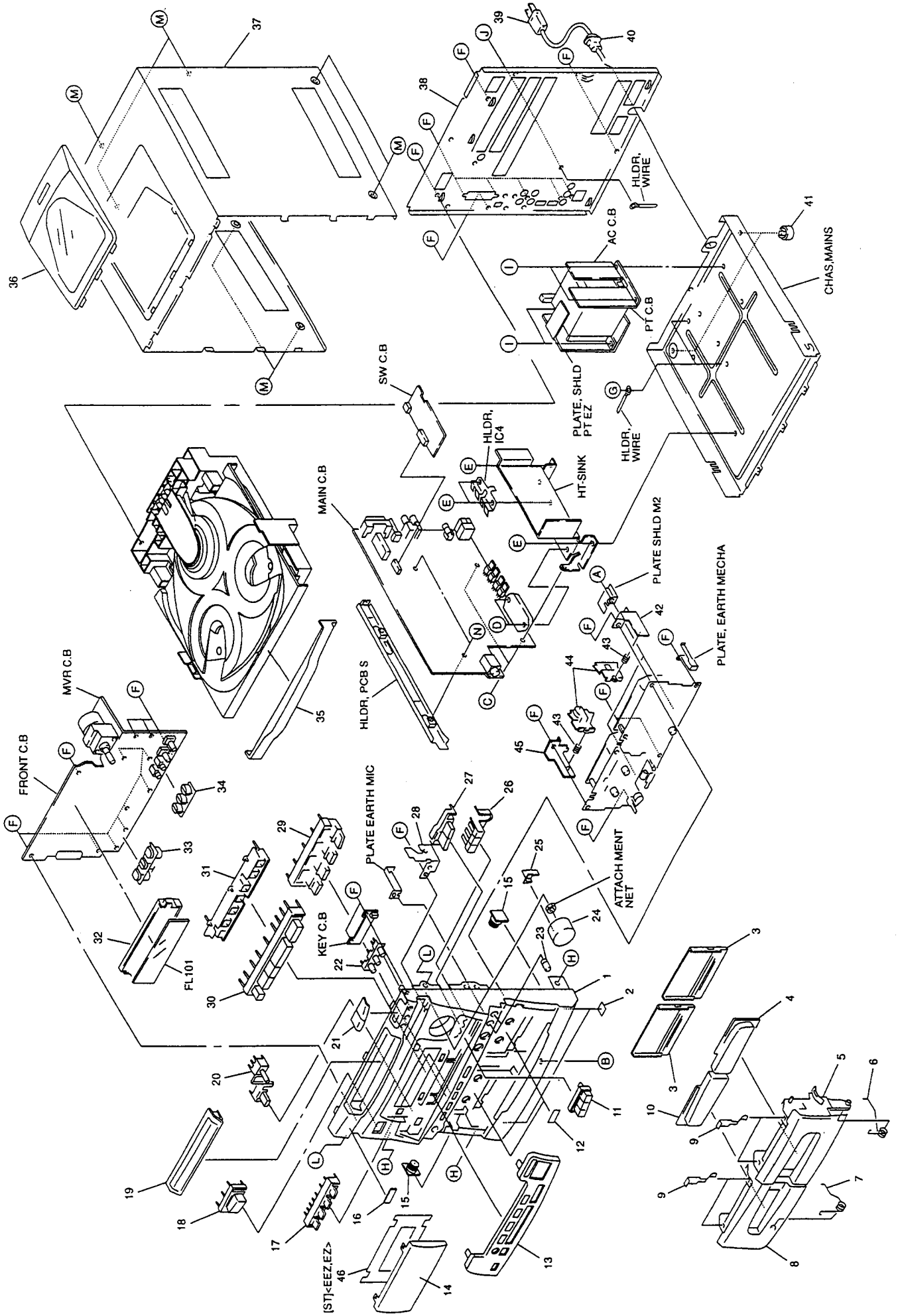


- 1) Short circuit between TP3 (VREF) and TP4.
- 2) Connect an oscilloscope to the test points TP1 (TE) and TP3 (VREF).
- 3) Turn on the power switch.
- 4) Insert test disc TCD-782 (YEDS-18) and press the PLAY button.
- 5) Adjust SFR1 so that the waveform on the oscilloscope is vertically symmetrical as shown in the figure below.
- 6) After the adjustment is completed, remove the connected lead wires from the test point TP2 (VREF) and TP4 (VREF) and TP4.



A=B

MECHANICAL EXPLODED VIEW 1/1

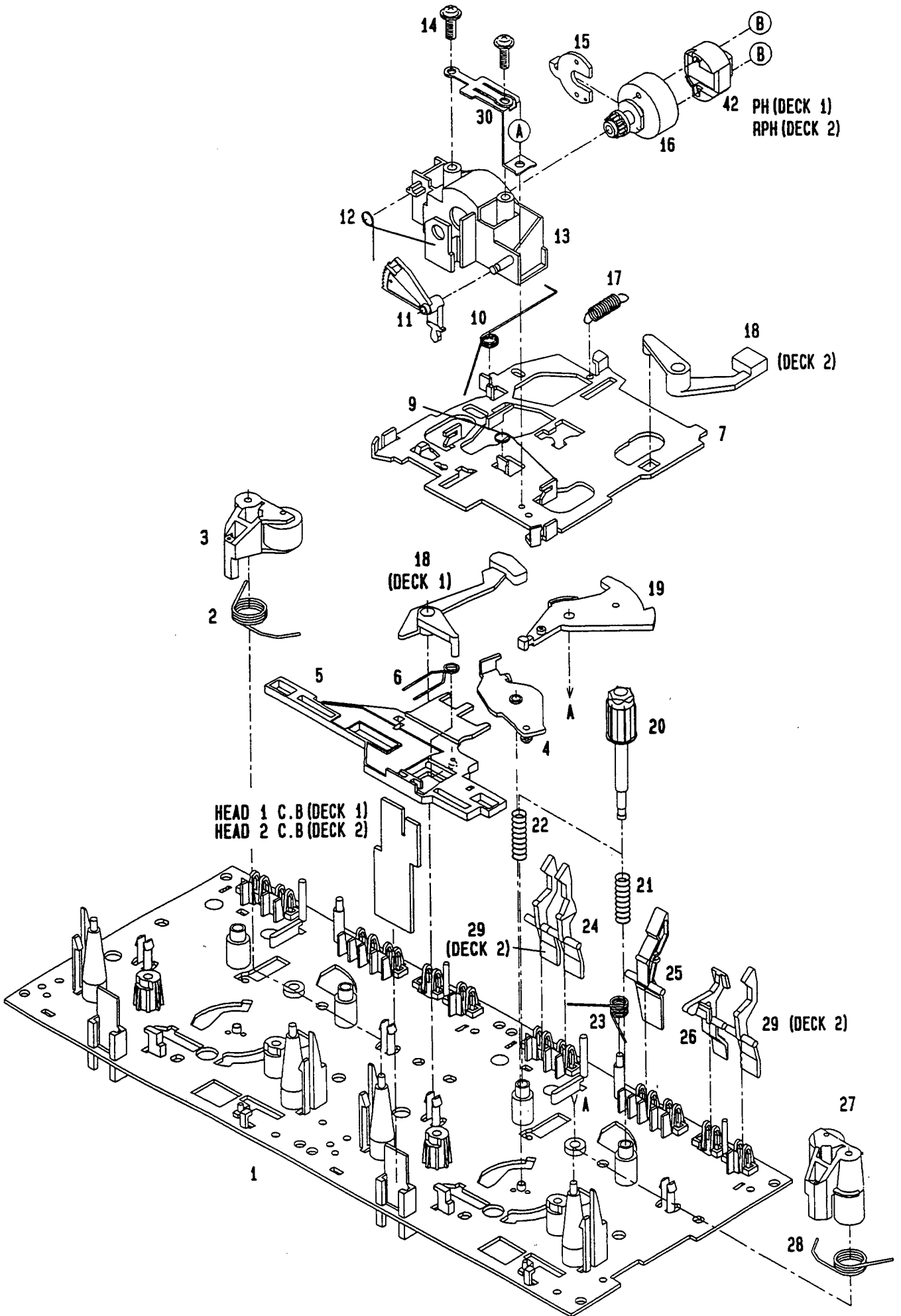


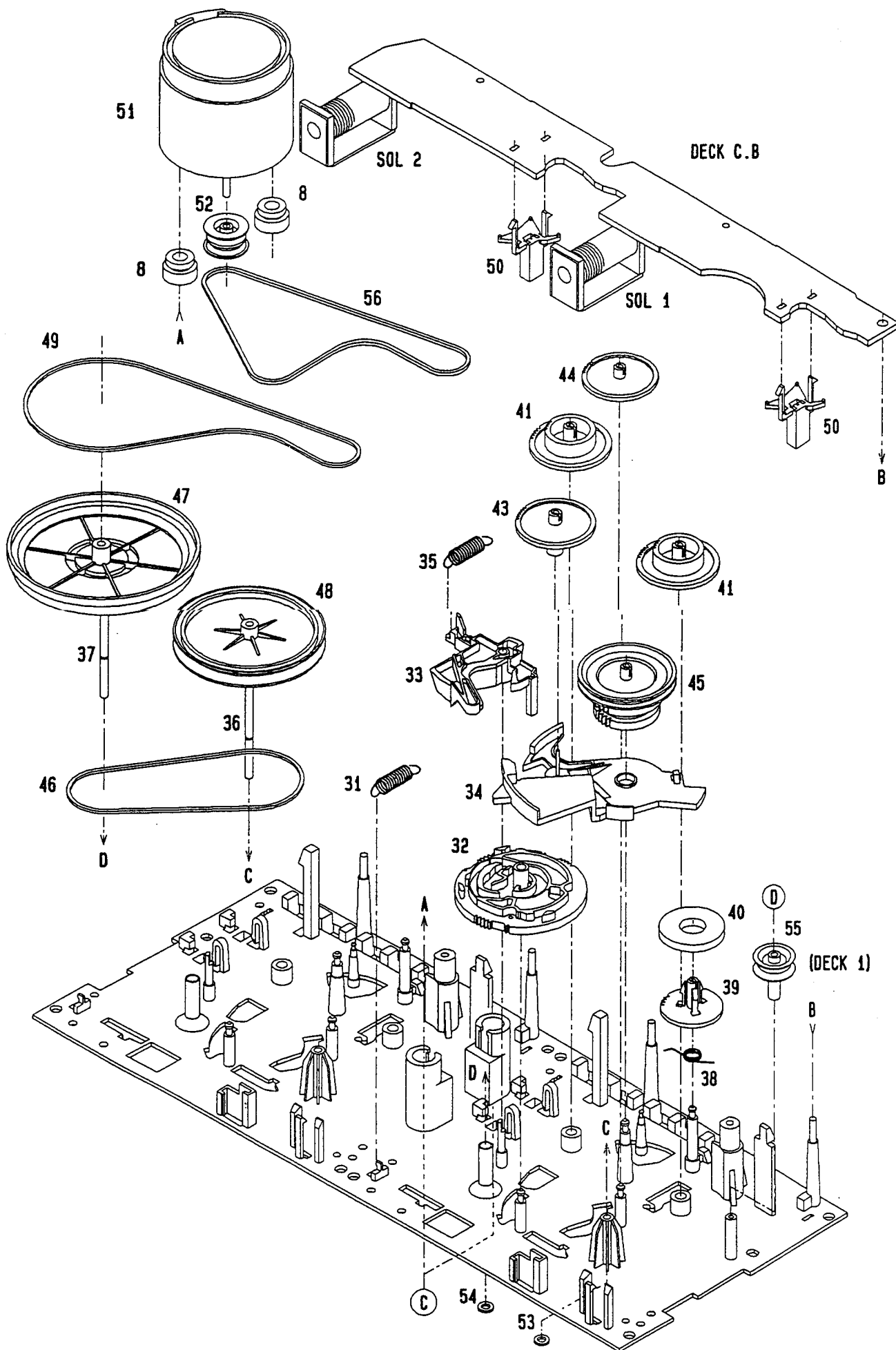
MECHANICAL PARTS LIST 1 / 1

If can't understand for Description please kindly refer to "REFERENCE NAME LIST".

REF. NO.	PART NO.	KANRI NO.	DESCRIPTION	REF. NO.	PART NO.	KANRI NO.	DESCRIPTION
1	85-NF5-042-010		CAB,FR EZ<EXCEPT {ST}EZ>	34	83-NF5-211-010		GUIDE,LED R
1	85-NF5-044-010		CAB,FR TI<{ST}EZ>	35	85-NF5-073-010		PANEL,TRAY TI<{ST}EZ>
2	80-VT1-202-010		FELT,12.5-15.5-2	35	85-NF5-072-010		PANEL,TRAY U<EXCEPT {ST}EZ>
3	85-NF5-026-010		IND,CASS	36	85-NF5-031-110		WINDOW, TOP
4	85-NF5-034-010		WINDOW,BOX 2	37	85-NF5-007-010		CAB,STEEL<EXCEPT {ST}EZ>
5	85-NF5-062-010		BOX,CASS2 EZ<EXCEPT {ST}EZ>	37	85-NF5-009-010		CAB,STEEL TI<{ST}EZ>
5	85-NF5-066-010		BOX,CASS2 TI<{ST}EZ>	38	85-NF5-055-010		PANEL,REAR EEBNE<{B}EE>
6	82-NF5-219-010		SPR-T,EJECT 2 (SIN)	38	85-NF5-056-010		PANEL,REAR EZBNE<EXCEPT{B}K, {B}EE>
7	82-NF5-218-010		SPR-T,EJECT 1 (SIN)	38	85-NF5-057-010		PANEL,REAR KBNE<{B}K>
8	85-NF5-061-010		BOX,CASS1 EZ<EXCEPT {ST}EZ>	△ 39	87-050-016-010		AC CORD ASSY,E<EXCEPT {B}K>
8	85-NF5-065-010		BOX,CASS1 TI<{ST}EZ>	△ 39	87-050-029-010		AC CORD ASSY,K 3P<{B}K>
9	80-CD3-218-110		SPR-P CASS	40	87-085-185-010		BUSHING,AC CORD E
10	85-NF5-033-010		WINDOW,BOX 1	41	87-085-221-010		FOOT,H 13.5
11	85-NF5-021-010		KEY,DSP	42	82-NF5-226-010		HLDR,LOCK 1N
12	81-532-080-010		LBL,CASS-COMPT	43	82-NF5-228-010		SPR-C,LOCK
13	85-NF5-006-110		PANEL,CONTROL	44	82-NF5-229-010		PLATE,LOCK
14	85-NF5-035-010		WINDOW,DISPLAY	45	82-NF5-227-010		HLDR,LOCK 2N
15	87-063-165-010		OIL-DMPR 150	46	85-NF5-029-010		SH,TI<{ST}EZ>
16	82-NE6-067-010		BADGE AIWA 30N	A	87-571-032-410		VIT+2-3
17	85-NF5-023-010		KEY,DOLBY<EXCEPT {ST}EZ>	B	87-067-689-010		BVTT+3-8
17	85-NF5-088-010		KEY,DOLBY TI<{ST}EZ>	C	87-067-633-010		BVT2+3-8 W/CONVEX
18	85-NF5-013-010		KEY,POWER<EXCEPT {ST}EZ>	D	87-067-698-010		BVT 2+3-18 (W/O SLOT)
18	85-NF5-087-010		KEY,POWER TI<{ST}EZ>	E	87-067-579-010		BVT 2+3-8 W/O SLOT
19	85-NF5-032-010		WINDOW,CD	F	87-067-703-010		BVT2+3-10 (W/O SLOT)
20	85-NF5-027-010		KEY,DUBB	G	87-571-092-410		VIT+3-4
21	85-NF5-011-010		KEY,OPEN<EXCEPT {ST}EZ>	H	87-591-094-410		QIT + 3 - 6 GOLD
21	85-NF5-086-010		KEY,OPEN TI<{ST}EZ>	I	87-078-083-010		BUTT SEMS+4-8SW
22	85-NF5-012-010		KEY,DISC	J	87-084-077-010		NYLON RIVET DIA 3.5 - 4.5
23	83-NF5-020-010		KNOB,MIC	L	87-721-097-410		QT2+3-12 GLD
24	83-NF5-009-010		KNOB,VOL<EXCEPT {ST}EZ>	M	87-067-641-010		UTT2+3-8 W/O SLOT BLK
24	83-NFF-088-010		KNOB,VOL TI<{ST}EZ>	N	87-078-084-010		BVTT+3-6 W,CONVEX
25	83-NF5-010-010		IND,VOL				
26	85-NF5-022-010		KEY,GEQ				
27	85-NF5-020-010		KEY,BBE				
28	83-NF5-208-010		HLDR,FFC G				
29	85-NF5-014-110		KEY ASSY,FUN				
30	85-NF5-019-010		KEY,OPE				
31	85-NF5-202-010		GUIDE,OPE				
32	83-NF5-202-010		GUIDE,FL				
33	83-NF5-210-010		GUIDE,LED L				

TAPE MECHANISM EXPLODED VIEW 1 / 1



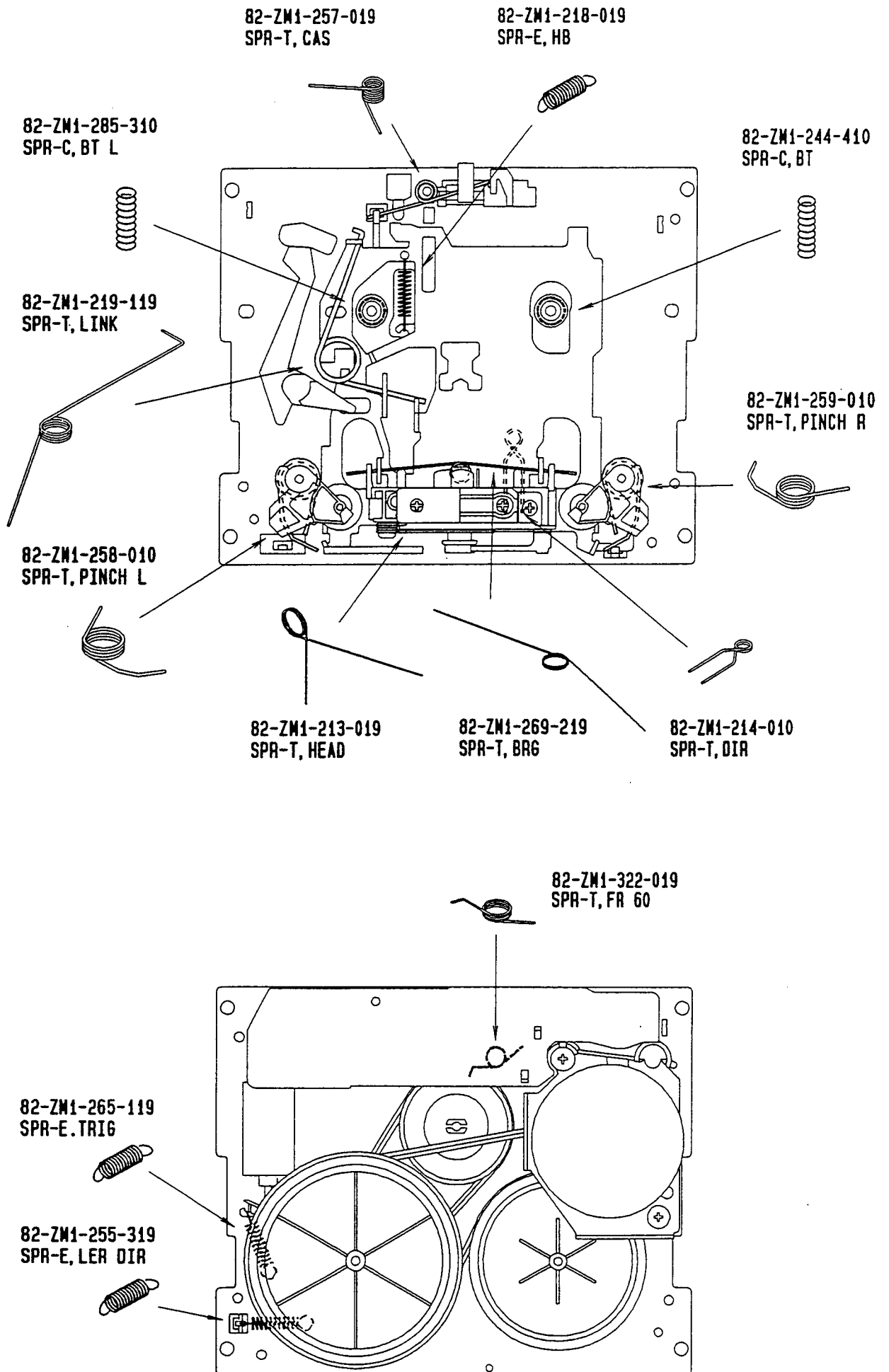


TAPE MECHANISM PARTS LIST 1 / 1

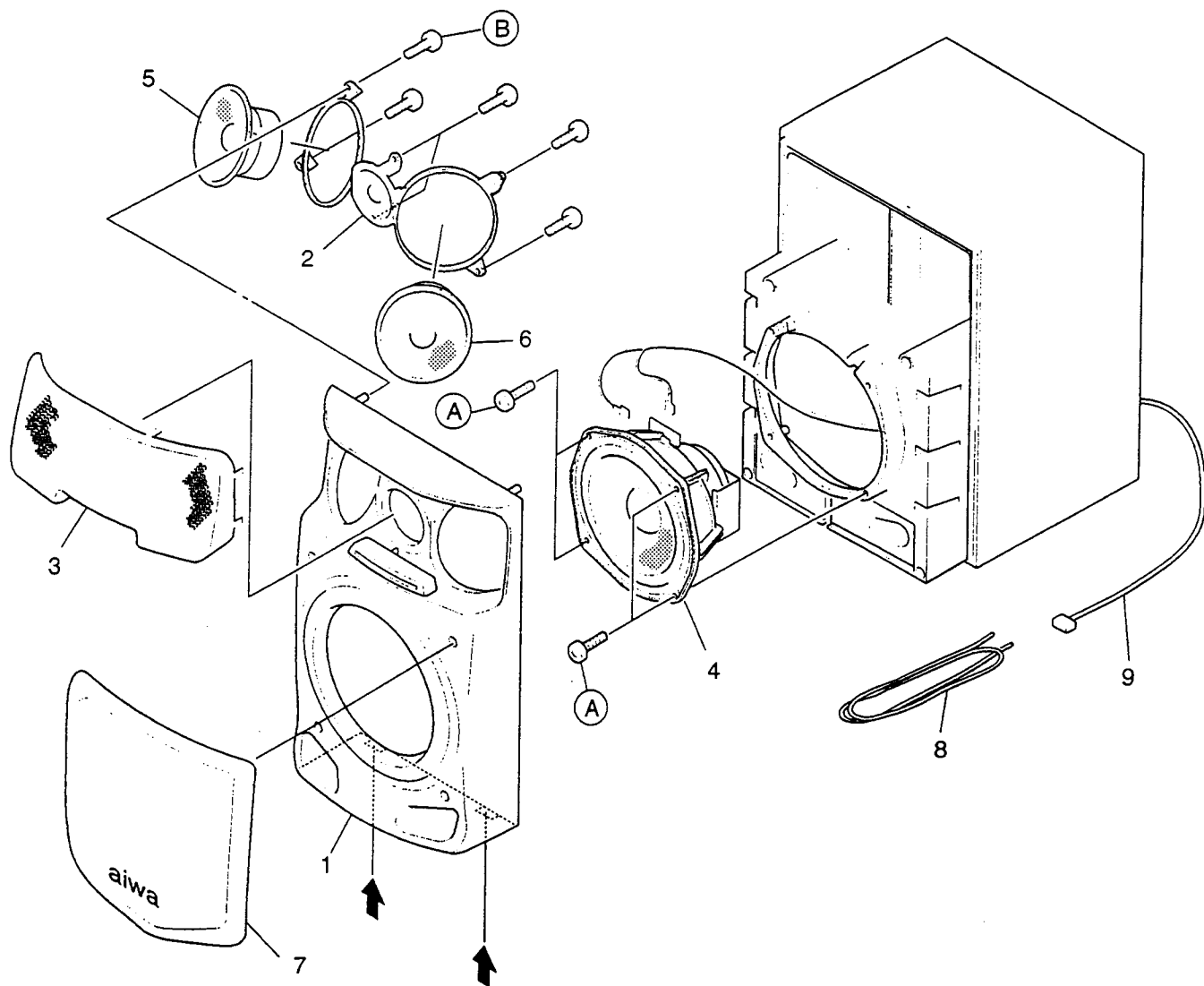
If can't understand for Description please kindly refer to "REFERENCE NAME LIST".

REF. NO.	PART NO.	KANRI NO.	DESCRIPTION	REF. NO.	PART NO.	KANRI NO.	DESCRIPTION
1	82-ZM3-301-019		CHAS ASSY,M2	35	82-ZM1-265-119		SPR-E,TRIG
2	82-ZM1-258-010		SPR-T,PINCH L	36	82-ZM1-313-019		CAPSTAN N 2-41.5
3	82-ZM1-248-419		LVR ASSY,PINCH L	37	82-ZM1-312-019		CAPSTAN N 2.2-41.7
4	82-ZM1-295-31K		PLATE ASSY,LINK	38	82-ZM1-322-019		SPR-T,FR60
5	82-ZM1-266-11K		LVR,DIR	39	82-ZM1-220-219		GEAR,IDLER
6	82-ZM1-214-010		SPR-T,DIR	40	82-ZM1-316-010		RING MAGNET 3
7	82-ZM1-206-61K		CHAS,HEAD	41	82-ZM1-216-21K		GEAR,REEL
8	82-ZM3-307-019		CUSH-G,DIA3.7-8-3.2	42	87-046-355-019		HEAD,PH HADKH2529B(PH)
9	82-ZM1-269-219		SPR-T,BRG	42	87-046-356-019		HEAD,RPH HADKH5581B(RPH)
10	82-ZM1-219-119		SPR-T,LINK	43	82-ZM1-225-11K		GEAR,FR
11	82-ZM1-210-019		GEAR,H T	44	82-ZM1-226-019		GEAR,REW
12	82-ZM1-213-019		SPR-T,HEAD	45	82-ZM1-228-510		SLIP DISK ASSY
13	82-ZM1-207-519		GUIDE,TAPE	46	82-ZM1-328-010		BELT FR2
14	82-ZM1-283-310		S-SCREW,AZIMUTH	47	82-ZM1-238-61K		FLY-WHL ASSY,R (DECK 2)
15	82-ZM1-314-119		PLATE HEAD	47	82-ZM3-210-51K		FLY-WHL ASSY,R2 (DECK 1)
16	82-ZM1-208-019		HLDR,HEAD	48	82-ZM1-235-31K		FLY-WHL ASSY,L (DECK 2)
17	82-ZM1-218-019		SPR-E,HB	48	82-ZM3-208-41K		FLY-WHL ASSY,L2 (DECK 1)
18	82-ZM1-263-110		LVR,EJECT L (DECK 1)	49	82-ZM3-313-019		BELT R10
18	82-ZM1-264-010		LVR,EJECT R (DECK 2)	50	82-ZM1-245-210		HLDR,IC
19	82-ZM1-222-11K		LVR,PLAY	51	87-045-347-019		MOT,SHU2L 70(M1)
20	82-ZM1-217-319		REEL TABLE	52	82-ZM3-202-019		PULLEY,MOT 2M
21	82-ZM1-244-410		SPR-C,BT	53	82-ZM1-288-019		SH,1.63-3.2-0.5 SLT
22	82-ZM1-285-310		SPR-C,BT L	54	80-ZM6-243-019		SH,1.75-3.6-0.5 SLT
23	82-ZM1-257-019		SPR-T,CAS	55	82-ZM3-204-010		PULLEY,COUPLER (DECK 1)
24	82-ZM1-241-319		LVR,MC	56	82-ZM3-312-019		BELT P10
25	82-ZM1-242-019		LVR,CAS	A	82-ZM1-315-010		S-SCREW,GVIDE TAPE
26	82-ZM1-243-019		LVR,STOP	B	80-ZM6-207-019		V+1.6-7
27	82-ZM1-253-419		LVR ASSY,PINCH R	C	82-ZM3-318-019		S-SCRW MOTOR M2
28	82-ZM1-259-010		SPR-T,PINCH R	D	87-067-972-019		PW,1.05-3-0.25 SLT
29	82-ZM1-240-11K		LVR,REC (DECK 2)				
30	82-ZM1-298-010		SPR-P,EARTH				
31	82-ZM1-255-319		SPR-E,LVR DIR				
32	82-ZM3-305-01K		GEAR,CAM M2				
33	82-ZM1-227-21K		LVR,TRIG				
34	82-ZM3-306-01K		LVR,FR M2				

SPRING APPLICATION POSITION



SPEAKER EXPLODED VIEW 1 / 1



矢印の位置にマイナスドライバーを差し込んで、パネルをはずして、各々のスピーカー・ユニットのビスを取り、スピーカー・ユニットをはずしてください。

Insert a flat - bladed screwdriver into the position indicated by the arrows and remove the panel. Remove the screws of each speaker unit and then remove the speaker units.

SPEAKER PARTS LIST 1 / 1

If can't understand for Description please kindly refer to "REFERENCE NAME LIST".

REF. NO.	PART NO.	KANRI NO.	DESCRIPTION
1	85-NS5-023-010		PANEL FR,ST<[ST]Y>
1	85-NS5-001-010		PANEL FR<EXCEPT [ST]Y>
2	85-NS5-011-010		ADAPTOR ASSY
3	85-NS5-012-010		SPEAKER GRILL
4	85-NS5-602-010		SPEAKER WOOFER<EXCEPT [B]YL>
4	85-NS5-604-010		SPEAKER WOOFER<[B]YL>
5	83-NS5-608-010		SPEAKER MID H
6	83-NS5-610-010		SPEAKER H
7	85-NS5-020-010		GRILL FRAME ASSY
8	85-NS5-614-010		CORD 4P
9	83-NS5-613-010		SPEAKER CORD ASSY
A	87-343-172-010		UT1+4-12
B	87-342-097-010		UT1+3-10

ACCESSORIES / PACKAGE LIST

If can't understand for Description please kindly refer to "REFERENCE NAME LIST".

REF. NO.	PART NO.	KANRI NO.	DESCRIPTION
1	85-NF5-905-010		IB,EGI-G<EXCEPT KBNE>
1	85-NF5-904-010		IB,ESF(E)-G
2	87-006-225-010		AM LOOP ANT NC2
3	87-043-106-010		FM,WIRE ANT (Z)
4	85-NF5-631-010		RC-T501

REFERENCE NAME LIST

ELECTRICAL SECTION

DESCRIPTION	REFERENCE NAME
ANT	ANTENNAS
C-	CHIP
C-CAP	CAP, CHIP
C-CAP TN	CAP, CHIP TANTALUM
C-COIL	COIL, CHIP
C-DI	DIODE, CHIP
C-DIODE	DIODE, CHIP
C-FET	FET, CHIP
C-FOTR	FILTER, CHIP
C-JACK	JACK, CHIP
C-LED	LED, CHIP
C-RES	RES, CHIP
C-SFR	SFR, CHIP
C-SLIDE SW	SLIDE SWITCH, CHIP
C-SW	SWITCH, CHIP
C-TR	TRANSISTOR, CHIP
C-VR	VOLUME, CHIP
C-ZENER	ZENER, CHIP
CAP, CER	CAP, CERA-SOL
CAP, E	CAP, ELECT
CAP, M/F	CAP, FILM
CAP, TC	CAP, CERA-SOL
CAP, TC-U	CAP, CERA-SOL SS
CAP, TN	CAP, TANTALUM
CERA FIL	FILTER, CERAMIC
CF	FILTER, CERAMIC
DL	DELAY LINE
E/CAP	CAP, ELECT
FILT	FILTER
FLTR	FILTER
FUSE RES	RES, FUSE
MOT	MOTOR
P-DIODE	PHOTO DIODE
P-SNSR	PHOTO SENSER
P-TR	PHOTO TRANSISTOR
POLY VARI	VARIABLE CAPACITOR
PPCAP	CAP, PP
PT	POWER TRANSFORMER
PTR, RES	PTR, MELF
RC	REMOTE CONTROLLER
RES NF	RES, NON-FLAMMABLE
RESO	RESONATOR
SHLD	SHIELD
SOL	SOLENOID
SPKR	SPEAKER
SW, LVR	SWITCH, LEVER
SW, RTRY	SWITCH, ROTARY
SW, SL	SWITCH, SLIDE
TC CAP	CAP, CERA-SOL
THMS	THERMISTOR
TR	TRANSISTOR
TRIMER	CAP, TRIMER
TUN-CAP	VARIABLE CAPACITOR
VIB, CER	RESONATOR, CERAMIC
VIB, XTAL	RESONATOR, CRYSTAL
VR	VOLUME
ZENER	DIODE, ZENER

MECHANICAL SECTION

DESCRIPTION	REFERENCE NAME
ADHESHIVE	SHEET ADHESHIVE
AZ	AZIMUTH
BAR-ANT	BAR-ANTENNA
BAT	BATTERY
BATT	BATTERY
BRG	BEARING
BTN	BUTTON
CAB	CABINET
CASS	CASSETTE
CHAS	CHASSIS
CLR	COLLAR
CONT	CONTROL
CRSR	CURSOR
CU	CUSHION
CUSH	CUSHION
DIR	DIRECTION
DUBB	DUBBING
FL	FRONT LOADING
FLY-WHL	FLYWHEEL
FR	FRONT
FUN	FUNCTION
G-CU	G-CUSHION
HDL	HANDOL
HIMERON	CLOTH
HINGE, BAT	HINGE, BATTERY
HLDR	HOLDER
HT-SINK	HEAT SINK
IB	INSTRUCTION BOOKLET
IDLE	IDLER
IND, L-R	INDICATOR, L-R
KEY, CONT	KEY, CONTROL
KEY, PRGM	KEY, PROGRAM
KNOB, SL	KNOB, SLIDE
LBL	LABEL
LID, BATT	LID, BATTERY
LID, CASS	LID, CASSETTE
LVR	LEVER
P-SP	P-SPRING
PANEL, CONT	PANEL, CONTROL
PANEL, FR	PANEL, FRONT
PRGM	PROGRAM
PULLY, LOAD MO	PULLY, LOAD MOTOR
RBN	RIBBON
S-	SPECIAL
SEG	SEGMENT
SH	SHEET
SHLD-SH	SHIELD-SHEET
SL	SLIDE
SP	SPRING
SP-SCREW	SPECIAL-SCREW
SPACER, BAT	SPACER, BATTERY
SPR	SPRING
SPR-P	P-SPRING
SPR-PC-PUSH	P-SPRING, C-PUSH
T-SP	T-SPRING
TERM	TERMINAL
TRIG	TRIGGER
TUN	TUNING
VOL	VOLUME
W	WASHER
WHL	WHEEL
WORM-WHL	WORM-WHEEL

サービス技術ニュース	
番号	連絡内容
G - -	
G - -	
G - -	

アイワ株式会社
AIWA CO., LTD.

9420025, 750038

Tokyo Japan